

SULZER

Massblatt XFP 151E-CB2 Trockeninstallation
 Dimension sheet DRY-WELL Installation
 Dimensioni Installazione a secco
 Hoja de dimensiones instalación en seco
 Plan d'encombrement Installation à sec

No: AN-M.22.577 -03
 Drawn: 24.09.2009/D.Whelan
 Issue Date: 09/05/2013
 Änderungen vorbehalten
 Technical changes reserved
 Con riserva di modifiche
 Con reserva de modificaciones
 Sous réserve de modification

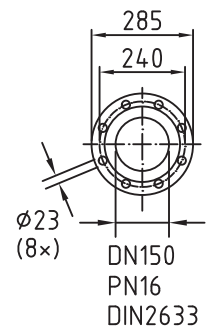
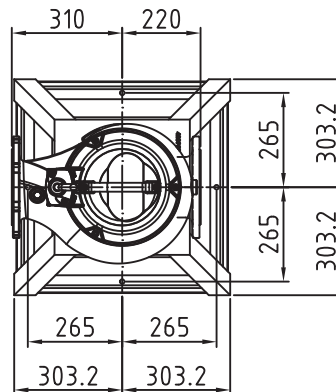
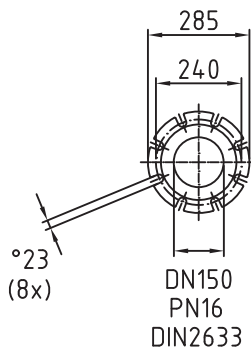
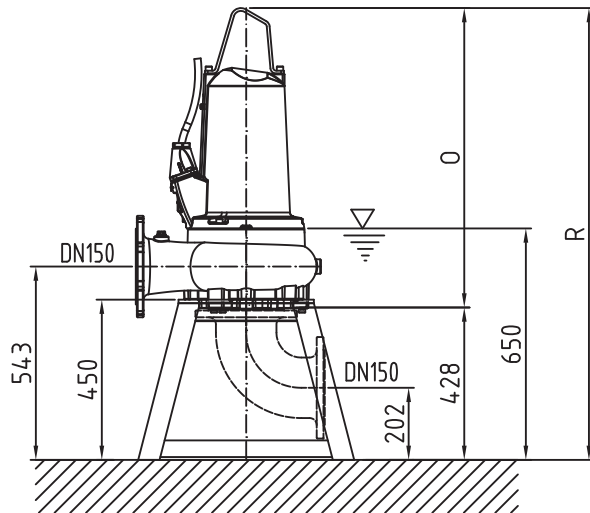
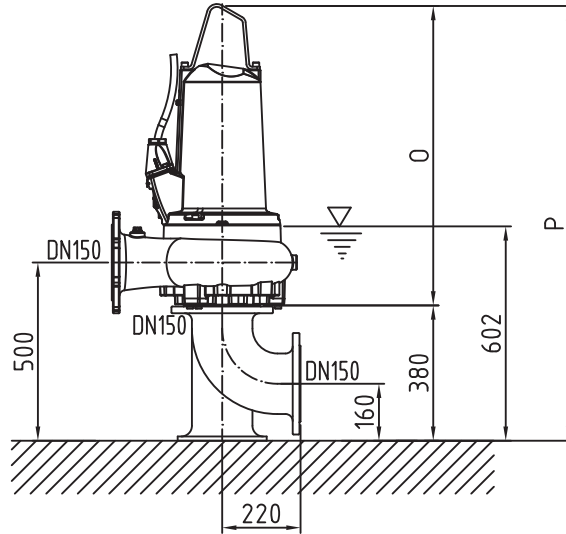
50 Hz

| Typ Type Tipo | Gewicht Weight Poids Peso (kg) | O (mm) | P (mm) | R (mm) |
|---------------------|--|-----------|-----------|-----------|
| PE 49/4 | 180 | 776 | 1156 | 1199 |
| PE 60/4 | 180 | 776 | 1156 | 1199 |
| PE 90/4 | 200 | 846 | 1226 | 1269 |

60 Hz

| Typ Type Tipo | Gewicht Weight Poids Peso (kg) | O (mm) | P (mm) | R (mm) |
|---------------------|--|-----------|-----------|-----------|
| PE 36/6 | 170 | 776 | 1156 | 1199 |
| PE 75/4 | 180 | 776 | 1156 | 1199 |
| PE 90/4 | 200 | 846 | 1226 | 1269 |
| PE 105/4 | 210 | 846 | 1226 | 1269 |

S.I.



Gewicht: Beinhaltet Pumpe und Kabel (50 Hz = 10 m; 60 Hz = 15 m)
 Weight: includes pump and cable (50 Hz = 10 m; 60 Hz = 15 m)
 Peso: include pompa e cavo (50 Hz = 10 m; 60 Hz = 15 m)
 Peso: Incluye bomba y cable (50 Hz = 10 m; 60 Hz = 15 m)
 Poids : incluant la pompe et le cable (50 Hz = 10 m; 60 Hz = 15 m)

Guss-Allgemeintoleranzen nach DIN1680 - GTB16
 General tolerances for castings in acc. to DIN1680-GTB16
 Tolleranze generali delle fusioni secondo DIN1680-GTB16
 Tolerancias generales para la fundición seg. de DIN1680-GTB16
 Tolérance générale de la fonderie selon DIN1680-GTB16

SULZER

Massblatt XFP 151E-CB2 Trockeninstallation
 Dimension sheet DRY-WELL Installation
 Dimensioni Installazione a secco
 Hoja de dimensiones instalación en seco
 Plan d'encombrement Installation à sec

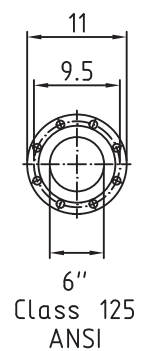
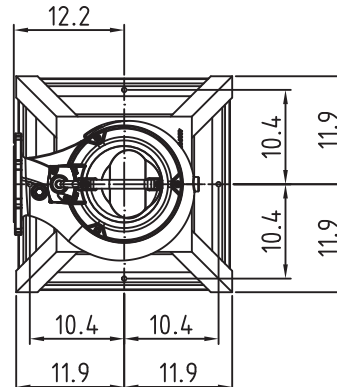
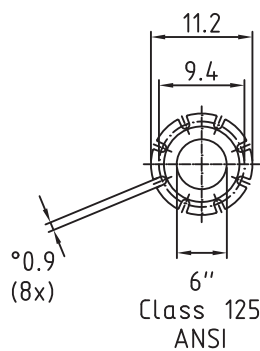
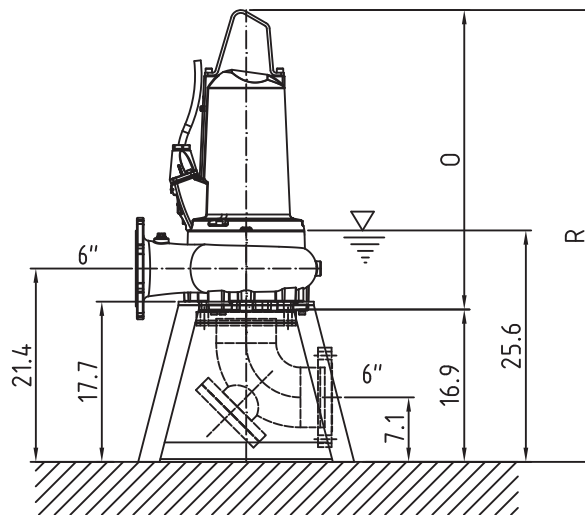
No: AN-M.22.577 -03
 Drawn: 24.09.2009/D.Whelan
 Issue Date: 09/05/2013
 Änderungen vorbehalten
 Technical changes reserved
 Con riserva di modifiche
 Con reserva de modificaciones
 Sous réserve de modification

50 Hz**U.S.**

| Typ Type Tipo | Gewicht Weight Poids Peso (lbs) | 0 (") | R (") |
|---------------------|---|----------|----------|
| PE 49/4 | 399 | 30.6 | 47.2 |
| PE 60/4 | 399 | 30.6 | 47.2 |
| PE 90/4 | 443 | 33.3 | 50 |

60 Hz

| Typ Type Tipo | Gewicht Weight Poids Peso (lbs) | 0 (") | R (") |
|---------------------|---|----------|----------|
| PE 36/6 | 377 | 30.6 | 47.2 |
| PE 75/4 | 399 | 30.6 | 47.2 |
| PE 90/4 | 443 | 33.3 | 50 |
| PE 105/4 | 465 | 33.3 | 50 |



Gewicht: Beinhaltet Pumpe und Kabel (50 Hz = 10 m; 60 Hz = 15 m)
 Weight: includes pump and cable (50 Hz = 10 m; 60 Hz = 15 m)
 Peso: include pompa e cavo (50 Hz = 10 m; 60 Hz = 15 m)
 Peso: Incluye bomba y cable (50 Hz = 10 m; 60 Hz = 15 m)
 Poids : incluant la pompe et le cable (50 Hz = 10 m; 60 Hz = 15 m)

Guss-Allgemeintoleranzen nach DIN1680 - GTB16
 General tolerances for castings in acc. to DIN1680-GTB16
 Tolleranze generali delle fusioni secondo DIN1680-GTB16
 Tolerancias generales para la fundición seg. de DIN1680-GTB16
 Tolérance générale de la fonderie selon DIN1680-GTB16