

Aerator Type ABS Venturi Jet

Jet aerator with single or twin diffuser pipes, for fixed or portable installation, coupled to a Premium Efficiency pump from the XFP range.

Applications

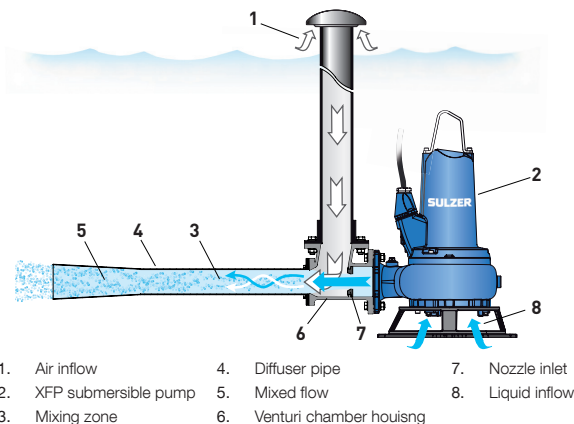
For the combined aeration and mixing of wastewater in small and medium sized tanks. Also for the cleaning of storm water tanks and for use in balancing tanks where a combination of aeration and mixing reduces septicity and minimizes odours.

Features

- Stand-alone, self-aspirating system, with the option of fixed installation with guide rail and pedestal, or portable installation with stand. The portable option is especially suitable for emergency or intermittent aeration tasks and allows for variable positioning in the tank.
- Uses standard XFP pump featuring continuously rated Premium Efficiency motor, temperature and seal monitoring, and double mechanical seals.
- Blockage-free hydraulic design with Contrablock impeller.
- Lower noise levels and reduced spray compared to surface systems.
- Maximum allowable temperature of the medium for continuous operation is 40 °C.

Venturi injection principle

The venturi jet aerator is based on the injection principle that produces an effective air-water mix which results in optimum aeration and suspension of solids. The velocity of the primary flow of liquid from the pump is accelerated when pumped through the smaller nozzle inlet, lowering the internal pressure which draws in the secondary flow of air through the air inlet pipe. The liquid and air flows are then mixed in the turbulence of the diffuser pipe and ejected as a jet of fine air bubbles into the tank.



Motor

Premium Efficiency IE3, three-phase, squirrel-cage motor; 400 V; 50 Hz; 4-pole (1450 r/min) and 6-pole (980 r/min).

Protection type: IP 68

Stator insulation: Class H.

Start-up: 1.3 - 2.9 kW = direct on line (DOL)
4.0 - 11.0 kW = star-delta (YΔ).

Cooling: 100C - 150E self-cooling,
150G & 200G version with closed cooling system.

Service factor: 1.3

Notes

1. Stand and pedestal supplied as accessories.
2. Air inflow pipe and fittings, elbows, and flanges supplied by the customer.

Materials

Description	Material	
Aerator	Diffuser pipe	Stainless steel 1.4301 (AISI 304)
	Venturi chamber housing	Cast iron EN-GJL-200
Pump	Motor housing	Cast iron EN-GJL-250
	Motor shaft	Stainless steel 1.4021 (AISI 420)
	Impeller	Cast iron EN-GJL-250
	Volute	Cast iron EN-GJL-250
	Bottom plate	Cast iron EN-GJL-250
	Lifting bracket	Stainless steel 1.4401 (AISI 316)
Fasteners	Stainless steel 1.4401 (AISI 316)	

Technical data

XFP Pump	Motor	Impeller size	Pump discharge DN	Aerator inlet DN	Nozzle ø mm	Water flow m³/h	Motor power* (kW) P ₁ P ₂		Rated current (A)	Cable size	Weight** (pump) kg
100C-CB1	PE13/6	1	100	100	55	50	1.6	1.3	3.6	7G1.5	105
	PE22/4	4	100	100	55	70	2.5	2.2	4.6	7G1.5	107
	PE29/4	2	100	100	55	100	3.4	3.0	6.4	7G1.5	109
100E-CB1	PE40/4	5	100	100	55	140	4.4	4.0	8.4	10G1.5	159
150E-CB1	PE60/4	4	150	150	80	190	6.7	6.0	13.6	10G1.5	186
	PE90/4	1	150	150	80	240	10.0	9.0	18.1	10G1.5	198
150G-CB1	PE160/4	3	150	150	80	315	17.4	16.0	33.1	10G2.5	347
200G-CB1	PE185/4	2	200	150	80	500	20.0	18.5	36.9	10G2.5	375

(† XFP 200G requires twin aerators. DN 150 T-piece, 2 x DN 150 elbows and DN 200 / DN 150 adaptor flange required for connection to pump discharge.

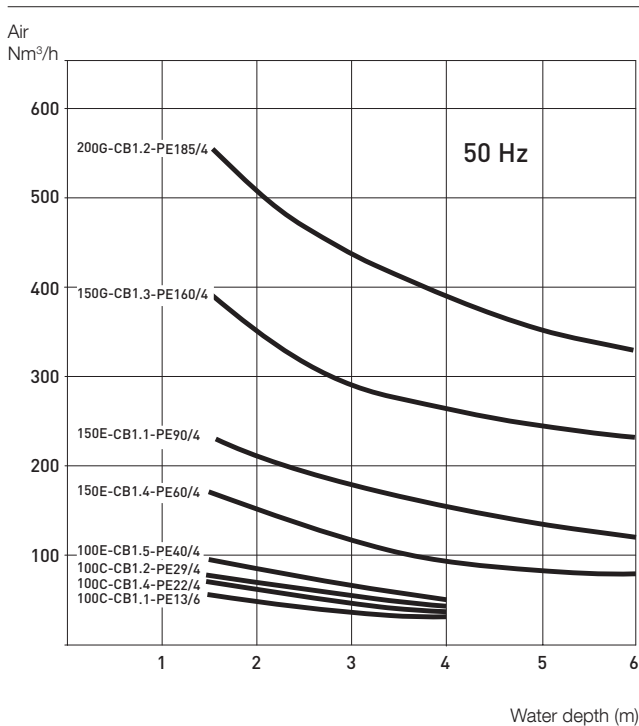
*P₁ = power at mains. P₂ = power at motor shaft.

**Aerator weight: DN 100 = 20 kg, DN 150 = 40 kg (does not include air inlet pipe or fittings). Portable stand: 100C = 9.5 kg, 100 & 150E = 10.5 kg, 150 & 200G = 17.5 kg.

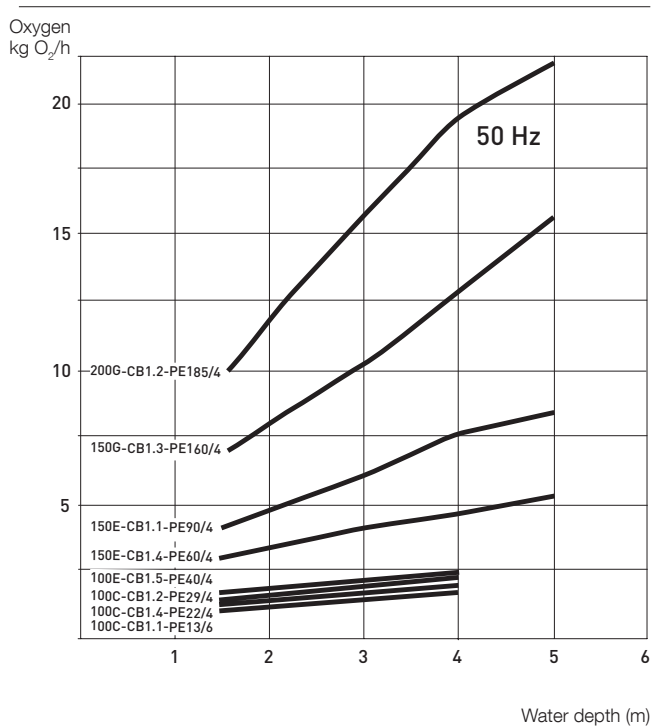
Aerator selection / Tank dimensions (m)

XFP Pump	Motor	Impeller size	Wastewater tank (sample size)			Storm water tank (sample size)		
			Rectangular	Square	Circular	Rectangular (outflow at one side)	Rectangular (central channel)	Circular (central outflow)
100C-CB1	PE13/6	1	6.0 X 4.0	4.9	ø 5.5	-	-	-
	PE22/4	4	7.2 X 4.8	5.9	ø 6.6	-	-	-
	PE29/4	2	8.0 X 5.3	6.5	ø 7.4	8.0 X 6.0	8.0 X 5.0	ø 5.5
100E-CB1	PE40/4	5	9.5 X 6.3	7.8	ø 8.8	10.0 X 8.0	10.0 X 6.5	ø 6.5
150E-CB1	PE60/4	4	12.0 X 8.0	9.8	ø 11.1	18.0 X 10.0	15.0 X 8.0	ø 8.0
	PE90/4	1	15.0 X 10.0	12.2	ø 13.8	22.0 X 12.0	20.0 X 10.0	ø 13.0
150G-CB1	PE160/4	3	17.5 X 11.5	14.2	ø 16.0	24.0 X 13.0	22.0 X 10.0	ø 14.0
200G-CB1	PE185/4	2	21.0 X 13.0	16.4	ø 18.0	27.0 X 14.0	24.0 X 10.0	-

Air flow performance



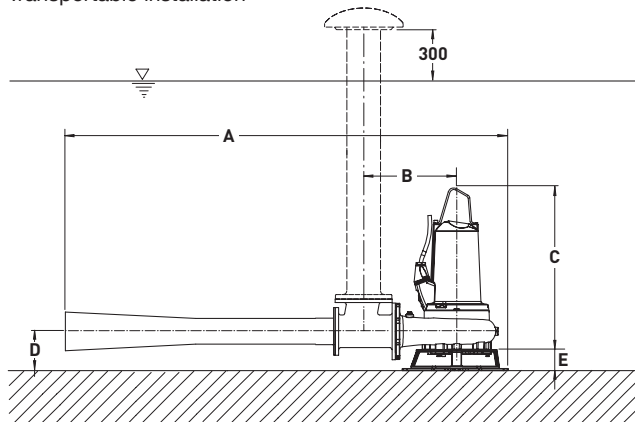
Oxygen transfer performance



Oxygen transfer data measured as per "Measurement of Oxygen Transfer in Clean Water" ASCE Standard 2-06, 2006.

Dimensions (mm)

Transportable installation



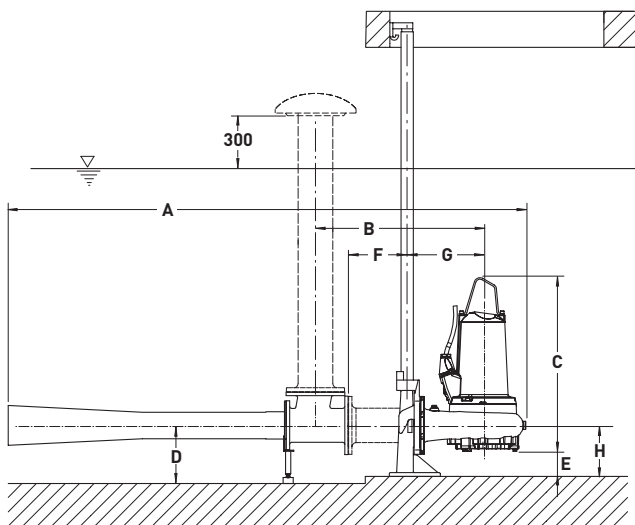
Note: in some cases the support stand may need to be weighted to the tank base to prevent lateral movement of the unit.

	100C	100E	150E		150G	200G*
			PE60/4	PE90/4		
A	1596	1636	2239	2239	2319	2384*
B	390	405	471	471	496	543*
C	686	728	749	819	1261	1348
D	193	179	198	198	300	320
E	105	105	105	105	200	200

* Twin aerators as standard and only.

Required: DN 150 T-piece, 2 x DN 150 elbows and DN 200 / DN 150 adaptor flange for connecting to pump discharge (not included in dimension; supplied by the customer).

Installation with straight pedestal

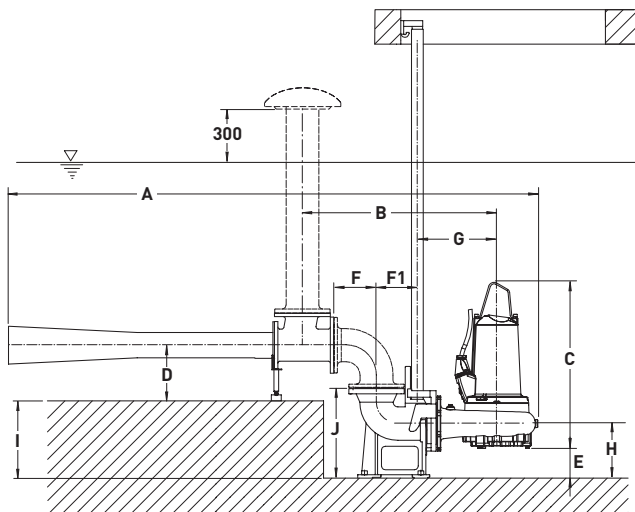


	100C	100E	150E		150G	200G*
			PE60/4	PE90/4		
A	1594+F	1627+F	2251+F	2251+F	2316+F	2505+F
B	442+F	655+F	531+F	531+F	556+F	995+F
C	716	762	783	853	1297	1348
D	289	289	286	286	286	286
E	82	92	123	123	114	119
F	**	**	**	**	**	**
G	318	333	372	372	397	546
H	200	200	250	250	250	240

** Variable dimension (supplied, and dimensions specified, by customer).

Required: DN 100 or DN 150 flange for XFP 100C - 150G, DN 150 T-piece, 2 x DN 150 elbows and DN 200 / DN 150 adaptor flange for XFP 200G.

Installation with 90° pedestal (duckfoot)



	100C	100E	150E		150G	200G*
			PE60/4	PE90/4		
A	1594+F	1627+F	2251+F	2251+F	2316+F	2505+F
B	442+F	655+F	531+F	531+F	556+F	995+F
C	716	762	783	853	1297	1348
D	289	289	286	286	286	286
E	82	92	123	123	114	119
F	**	**	**	**	**	**
G	318	333	372	372	397	546
H	200	200	250	250	250	240
I	262	262	397	397	397	524
J	371	371	463	463	463	550

** Variable dimension (supplied, and dimensions specified, by customer).

Required: DN 100 or DN 150 elbow for XFP 100C - 150G, DN 150 T-piece, 2 x DN 150 elbows and DN 200 / DN 150 adaptor elbow for XFP 200G.

Note: further and more detailed dimension drawings for all installation types are available on Sulzer.com or by request.

Accessories

	Description	Size	XFP	Part no	
Fixed installation - wet well with Sulzer Automatic Coupling System	Pedestal (kit)* (cast iron EN-GJL-250) 90° cast bend (single guide rail) - DIN flange connection	DN 100	100C & 100E	62320652	
		DN 150	150E & 150G	62320655	
		DN 200	200G	DPT91211A	
	Pedestal (components)* cast iron EN-GJL-250 straight (single guide rail) - DIN flange connection	DN 100	100C & 100E	Gasket	14020018
				Base	32560611
				Bracket	41420520
		DN 150	150E & 150G	Seal	43070518
				Guide piece	31450510
				Gasket	14020020
				Base	32560620
				Bracket	31420535
				Seal	43070519
	DN 200	200G	Guide piece	31450510	
	Pedestal bracket fasteners single guide rail version (galvanised steel) single guide rail version (stainless steel)			100C & 100E	62610633
				150E & 150G	62610635
200G				62610883	
100C & 100E				62610637	
150E & 150G				62610639	
200G				62610862	
Pedestal base anchor bolts single and twin guide rail (galvanised steel)			100C & 100E	62610775	
			150E & 150G	62610784	
			200G	62610785	
Chain kit (stainless steel) including shackle	3 m 4 m 6 m 7 m		100C - 200G	310101236013	
				310101236014	
				310101236016	
				310101236017	
Transportable	Ground support stand		100C	61355016	
			100E	61355018	
			150E	61355019	
			150G & 200G	61355025	
General	Cathodic protection (zinc anodes)		100C - 200G	13905000	
				110 - 230 VAC	16907010
				18 - 36 VDC, SELV	16907011
				110 - 230 VAC	16907006
				18 - 36 VDC, SELV	16907007

* Guide rail not included.

sulzer.com

Aerator Type ABS Venturi Jet EN (07.2024), Copyright © Sulzer Ltd 2024

This document does not provide a warranty or guarantee of any kind. Please contact us for a description of the warranties and guarantees offered with our products. Directions for use and safety will be given separately. All information herein is subject to change without notice.