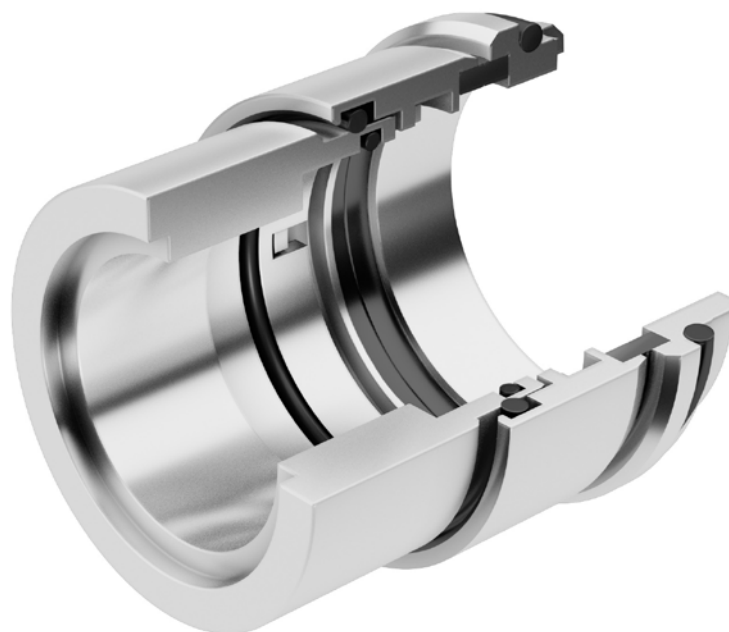


# Sulzer ES single mechanical element seal



Sulzer ES balanced single mechanical element seal is designed for the AHLSTAR A, APP, NPP and WPP pump ranges. The seal includes integrated shaft sleeve, protecting the shaft from the process liquid. It is designed as an integral part of AHLSTAR pumps without any additional components. This optimizes the space between the seal and the seal chamber, and ensures reliable operation.

## Easy to install and maintain

- The design of the ES seal is simple but robust, enabling fast and easy installation and maintenance.
- The seal is fitted to the standard case cover of the pump.
- Pressure variations or dropouts of the pumped liquid will not open the slide faces.
- ES seals can be used without flushing, with recirculation flushing or with external flushing.

## Main applications

Due to the simple design, the Sulzer ES seal is an optimal solution for water and light process applications:

- clean and slightly contaminated liquids
- viscous liquids
- fibrous slurries up to 3% consistency depending on quality of the slurry
- temperature up to 140°C / 284°F depending on the seal flushing arrangement and seal chamber pressure

## Technical specifications and material alternatives

	SI units	US units
<b>P<sub>max</sub></b>	16 bar	232 psi
<b>V<sub>max</sub></b>	10 m/s	33 ft/s
<b>T<sub>max</sub></b>	140°C	284°F
<b>Seal surface</b>	SiC/SiC	
<b>O-ring</b>	EPDM or FKM	
<b>Material</b>	316 Stainless Steel (EN 1.4401, EN 1.4436) or Duplex EN 1.4462	