


SPARE PARTS LIST/ERSATZTEILLISTE/LISTE DE PIÈCES DE RECHANGE
AS 0631 S12/2 W/D & S17/2 W/D 50Hz Std. & EX

Valid from Serial Number: 100 -

 Page :
 Issue of : 20/10/11
 Supersedes Issue :
 Issue No. : 01,02
 Drawing ref. Nr. : ANS12133-00

Pos. No.	Part No.	Kit	Qty	Description	Benennung	Designation	Dimensions /Din	Comments	Price
1	31005033		1	Motorhousing	Motorgehäuse	Carcasse moteur			
2	11120829	AB	1	O-ring	O-ring	Joint torique	Ø32x3 DIN3771	Viton	
3	43025339		1	Cable EasyFit	Kabel EasyFit	Cable EasyFit	4x1.5 TecWater	10m (W/D)	
3	43025340		1	Cable EasyFit	Kabel EasyFit	Cable EasyFit	4x1.5 TecWater	20m (W/D)	
3	43025341		1	Cable EasyFit	Kabel EasyFit	Cable EasyFit	4x1.5 TecWater	30m (W/D)	
3	43025334		1	Cable EasyFit	Kabel EasyFit	Cable EasyFit	7x1.5 TecWater	10m (W)	
3	43025335		1	Cable EasyFit	Kabel EasyFit	Cable EasyFit	7x1.5 TecWater	20m (W)	
3	43025336		1	Cable EasyFit	Kabel EasyFit	Cable EasyFit	7x1.5 TecWater	30m (W)	
3	43025323		1	Cable EasyFit	Kabel EasyFit	Cable EasyFit	7x1.5 TecWater	10m (D)	
3	43025325		1	Cable EasyFit	Kabel EasyFit	Cable EasyFit	7x1.5 TecWater	20m (D)	
3	43025327		1	Cable EasyFit	Kabel EasyFit	Cable EasyFit	7x1.5 TecWater	30m (D)	
4	11120829		1	O-ring	O-ring	Joint torique	Ø32x3 DIN3771	Viton	
5	12180002		1	Cable shoe	Flachsteckhülse	Cosse-câble		Blue	
6	11210238		2	Cylinder screw	Zyl.Blechschaube	Vis à tête plate	M8x30 DIN912	EastFit cable	
9	11060005		1	Support Washer	Tragscheibe	Rondelle	Ø20x28x2 DIN988		
10	11010048		1	Ball bearing	Kugellager	Roulement à billes	6304 Z DIN625		
11	11120817	A	1	O-ring	O-ring	Joint torique	Ø160x3 DIN3771		
11	11120870	B	1	O-ring	O-ring	Joint torique	Ø160x3 DIN3771	Viton	
12	11080010	AB	1	Circlip	Sicherungsring	Circlips	Ø52x2 DIN472		
13	11110001		1	Mechanical seal	Gleitringdichtung	Garniture mecanique	Ø20mm		
13	11110149		1	Mechanical seal	Gleitringdichtung	Garniture mecanique	Ø20mm (Viton)	Viton	
14	11470072		1	Washer	Scheibe	Rondelle	Ø8.4 DIN9021		
16	14990008		1	Shackle	Schäkel	Manille	DIN82101		
19	11010013		1	Ball bearing	Kugellager	Roulement à billes	6201 2RSR DIN625		
20	65005339		1	Stator	Wicklung	Stator	230/1/50		
20	65005453		1	Stator	Wicklung	Stator	230/3/50		
20	65005341		1	Stator	Wicklung	Stator	400/3/50		
20	65005789		1	Stator	Wicklung	Stator	400/3/50	Without klixon	
20	65005454		1	Stator	Wicklung	Stator	500/3/50		
21	65015076		1	Rotor with shaft	Rotor mit Welle	Rotor avec arbre	1.4021		
21	65015080		1	Rotor with shaft	Rotor mit Welle	Rotor avec arbre	1.4401		
22	11130003	AB	1	Seal ring	Dichtung	Rondelle joint	Ø6x10 DIN7603		
23	11210253		1	Cylinder screw	Zylinderschraube	Vis à tête cylindrique	M6x10 DIN912		
24	11490020	AB	1	Seal washer	Verschlusscheibe	Rondelle joint	DIN470		
25	11070006	AB	1	Circlip	Sicherungsring	Circlip	Ø20x1.2 DIN471		
26	11210239		3	Cylinder screw	Zylinderschraube	Vis à tête cylindrique	M10x35 DIN912		
27	31155023		1	Bearing lid	Lager deckel	Couvercle palier	GG25	Std./EX EECS	
27	31155035		1	Bearing lid	Lager deckel	Couvercle palier	GG25	Std.Euro/US DI-probe	
28	11090009	AB	1	Lip seal	Wellendichtung	Joint à levres	Ø20x52x10 DIN3760		
29	11030046		0.48	Oil	Öl	Huile			
30	11070005	AB	1	Circlip	Sicherungsring	Circlip	Ø20x1.2 DIN471		
31	11630033		1	Impeller key	Paßfeder	Clavette	6x6x14 DIN6885		


SPARE PARTS LIST/ERSATZTEILLISTE/LISTE DE PIÈCES DE RECHANGE
AS 0631 S12/2 W/D & S17/2 W/D 50Hz Std. & EX

Valid from Serial Number: 100 -

 Page :
 Issue of : 20/10/11
 Supersedes Issue :
 Issue No. : 01,02
 Drawing ref. Nr. : ANS12133-00

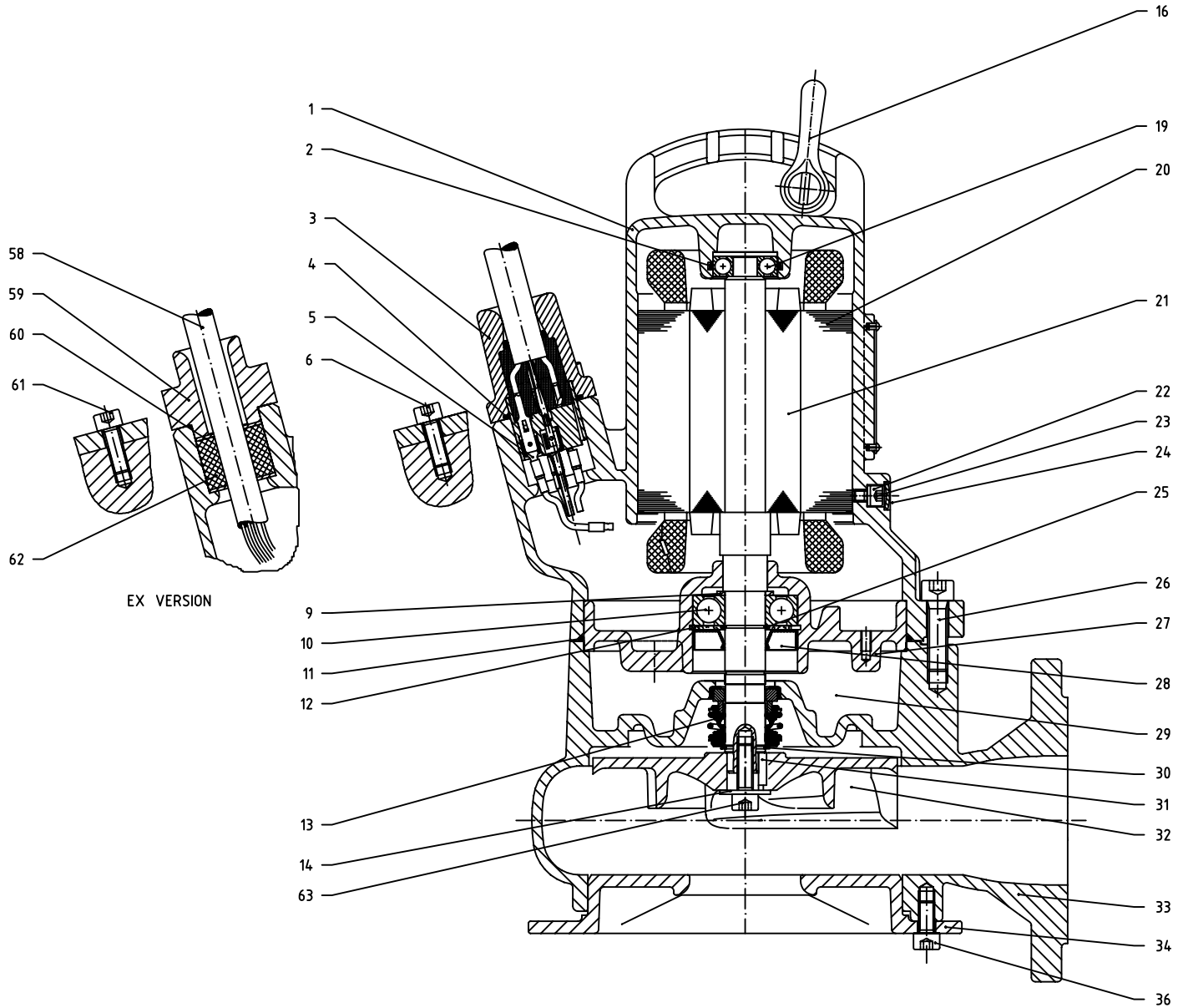
Pos. No.	Part No.	Kit	Qty	Description	Benennung	Designation	Dimensions /Din	Comments	Price
32	35075357		1	Impeller	Laufrad	Roue	Ø128 GG25	S12/2	
32	35075352		1	Impeller	Laufrad	Roue	Ø142 GG25	S17/2	
33	31055064		1	Volute	Kreiselkammer	Corps de pompe	GG25		
34	31065043		1	Bottom plate	Bodenplatte	Plaque de base	GG25	Std/Skirt base	
36	11210241		3	Cylinder screw	Senkschraube	Vis à tête plate	M8x16 DIN912		
37	11650001	AB	1	Locking Washer	Klemmscheibe	Rondelle-frein	M8 PVC/NITR		
37	11120141	AB	1	O-ring	O-ring	Joint torique	Ø7x3 DIN3771		
38	11260100		1	Lens Head Screw	Flachkopfschraube	Vis à tête plate	M8x10 DIN85		
39	11260104		1	Hexagonal screw	Sechskantschraube	Vis hexagonal	M5x10 DIN85 GV		
40	11500003		1	Locking washer	Sicherungsscheibe	Tole-frein	A5.1 DIN6797		
41	12180014		1	Cable shoe	Flachsteckhülse	Cosse-câble	Ø1.5-2.5mm		
42	43070326		1	Seal for DI	Dichtung für DI	Joint pour DI			
43	12180144		1	Round plug	Rundstecker	Fiche ronde	Ø4mm		
44	42130403		1	DI-probe	DI-electrode	Sonde DI			
45	41425032		1	Bracket	Haltewinkel	Butée			
46	11260091		1	Lens Head Screw	Flachkopfschraube	*Vis à tête plate	M5x12 DIN85		
47			1	Not available	nicht lieferbar	pas disponible			
48	12180144		1	Round plug	Rundstecker	Fiche ronde	Ø4mm		
49	42135000		1	DI-probe	DI-electrode	Sonde DI			
50	11080027		1	Circlip	Sicherungsscheibe	Circlip	Ø7x0.9mm DIN6799		
51	43070326		1	Seal for DI	Dichtung für DI	Joint pour DI			
52	11060014		1	Support washer	Tragscheibe	Rondelle	Ø42x52x2.5 DIN988		
53	11100066		1	Mechanical seal	Gleitringdichtung	Garniture mecanique	Ø20mm	CARBON-CHROME	
54	11070006	AB	1	Circlip	Sicherungsring	Circlip	Ø20x1.2 DIN471		
58	43025563		1	Cable	Kabel	Cable	4x1.5 Tecwater	10m (W/D)	
58	43025569		1	Cable	Kabel	Cable	4x1.5 Tecwater	20m (W/D)	
58	43025657		1	Cable	Kabel	Cable	4x1.5 Tecwater	30m (W/D)	
58	43025540		1	Cable	Kabel	Cable	7x1.5 Tecwater	10m (W)	
58	43025541		1	Cable	Kabel	Cable	7x1.5 Tecwater	20m (W)	
58	43025542		1	Cable	Kabel	Cable	7x1.5 Tecwater	30m (W)	
58	43025535		1	Cable	Kabel	Cable	7x1.5 Tecwater	10m (D)	
58	43025536		1	Cable	Kabel	Cable	7x1.5 Tecwater	20m (D)	
58	43025537		1	Cable	Kabel	Cable	7x1.5 Tecwater	30m (D)	
59	31325008		1	Cable cap	Kabeleinführung	Entree de cable	GG25 (Ø12)	Cable 4x1.5	
59	31320140		1	Cable cap	Kabeleinführung	Entree de cable	GG25 (Ø20)	Cable 4x1.5+3x0.5 Cable 7x1.5	
60	42015009		2	Washer	Scheibe	Rondelle	Ø34x18x1.5	Cable 4x1.5, 7x1.5	
61	11210238		4	Cylinder screw	Zyl.Blechschrabe	Vis à tête plate	M8x30 DIN912		
62	43075058	A	1	Cable seal	Kabdichtung	Joint de kabel	Ø34x11.5x29.5H	Cable 4x1.5	
62	43075056	B	1	Cable seal	Kabdichtung	Joint de kabel	Ø34x11.5x29.5H (viton)	Cable 4x1.5	
62	43075048	A	1	Cable seal	Kabdichtung	Joint de kabel	Ø34x16x29.5H	Cable 4x1.5+3x0.5	
62								Cable 7x1.5 SO7RN-F OZ+	


SPARE PARTS LIST/ERSATZTEILLISTE/LISTE DE PIÈCES DE RECHANGE
AS 0631 S12/2 W/D & S17/2 W/D 50Hz Std. & EX

Valid from Serial Number: 100 -

 Page :
 Issue of : 20/10/11
 Supersedes Issue :
 Issue No. : 01,02
 Drawing ref. Nr. : ANS12133-00

Pos. No.	Part No.	Kit	Qty	Description	Benennung	Designation	Dimensions /Din	Comments	Price
62	43075057	B	1	Cable seal	Kabeldichtung	Joint de kabel	Ø34x16x29.5H (viton)	Cable 4x1.5+3x0.5	
62								Cable 7x1.5 SO7RN-F OZ+	
62	43075049	A	1	Cable seal	Kabeldichtung	Joint de kabel	Ø34x16.8x29.5H	Cable 7x1.5 TL07RN-F	
62	43075028	A	1	Cable seal	Kabeldichtung	Joint de kabel	Ø34x13.8x29.5H	Cable 7x1.5 Tecwater	
62	43075068	B	1	Cable seal	Kabeldichtung	Joint de kabel	Ø34x16.8x29.5H (Viton)	Cable 7x1.5 TL07RN-F	
62	43075034	B	1	Cable seal	Kabeldichtung	Joint de kabel	Ø34x13.8x29.5H (Viton)	Cable 7x1.5 Tecwater	
63	11210243		1	Cylinder screw	Zylinderschraube	Vis à tête cylindrique	M8x25 DIN912	1.4401	
	61195072	A	1	Seal kit	Dichtungssatz	Jeu de joint complet			
	61195076	B	1	Seal kit	Dichtungssatz	Jeu de joint complet	Viton		



EX VERSION

