

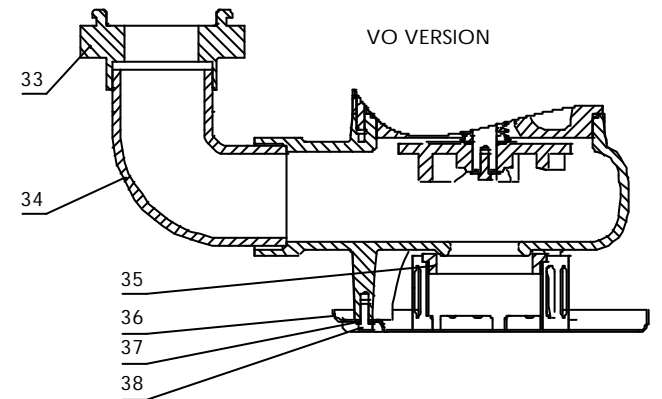
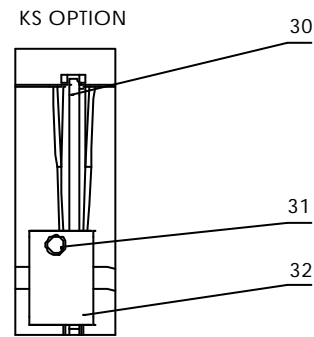
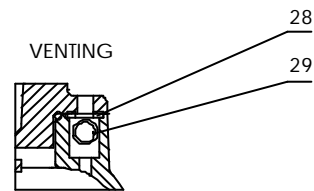
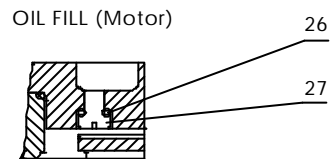
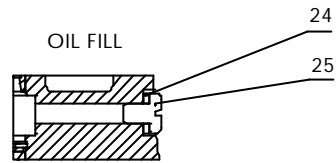
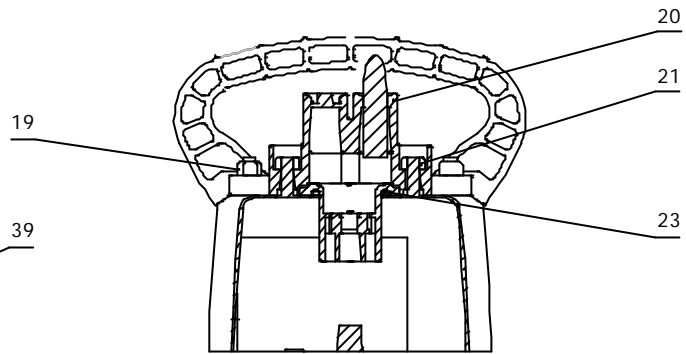
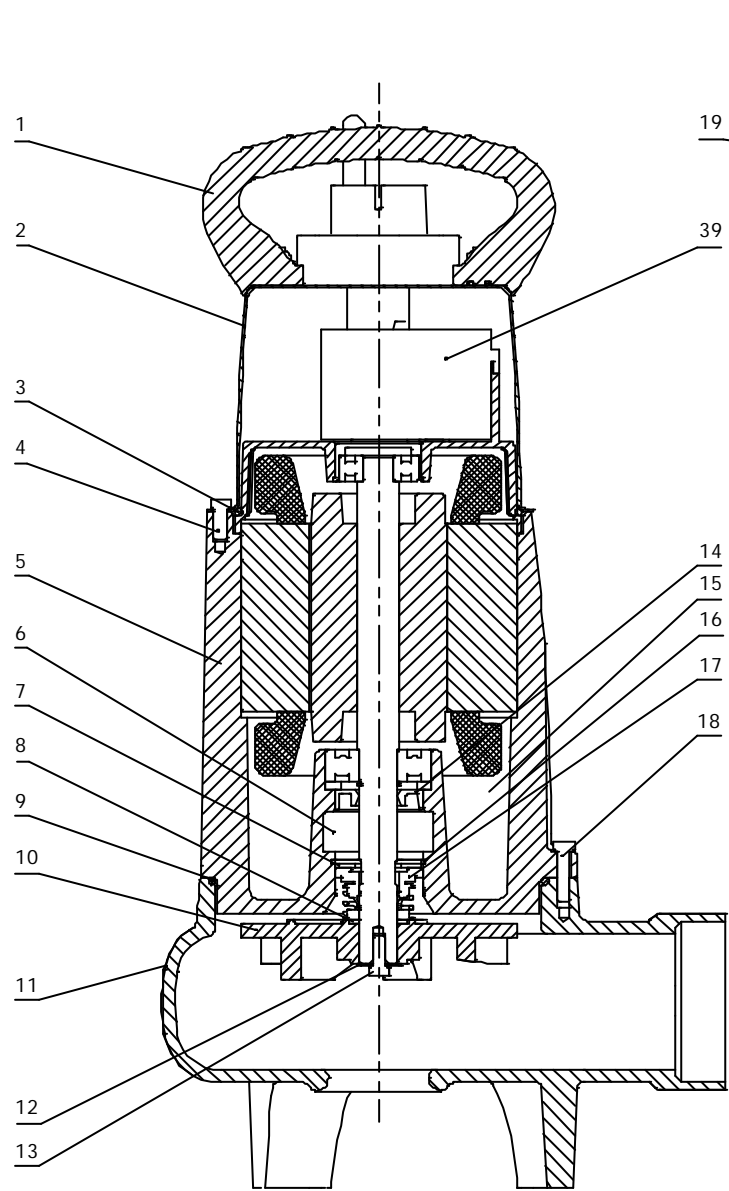

SPARE PARTS LIST/ERSATZTEILLISTE/LISTE DE PIÈCES DE RECHANGE
MF 504 W/KS/VO 50Hz (2001)

(With Cast Iron Motor Housing)

Valid from Serial Number: 100 -

Page :
Issue of : 20/10/11
Supersedes Issue :
Issue No. : 01,02,03
Drawing ref. Nr. : ANS13341-02

Pos. No.	Part No.	Kit	Qty	Description	Benennung	Designation	Dimensions /Din	Comments	Price
1	42005004		1	Handle	Handgriff	Poignee			
2	62675031		1	Upper lid	Obererdeckel	Couvercle supérieur			
3	11120415	A	1	O-ring	O-ring	Joint torique	Ø110x3.5 DIN3771		
4	11200229		3	Hexagonal screw	Sechskantschraube	Vis hexagonal	M5x12 DIN933	1.4401	
5	61275151		1	Motor	Motor	Moteur	230/1/50	With capacitor	
6	11030046		0.02L	Oil	Öl	Huile			
7	42015009		1	Washer	Scheibe	Rondelle	Ø34x18x1.5		
8	42015023		1	Washer	Scheibe	Rondelle			
9	11120423	A	1	O-ring	O-ring	Joint torique	Ø124.5x3 DIN3771		
10	41075044		1	Impeller	Lauftrad	Roue	Ø110/6 H17		
11	31055071		1	Volute	Kreiselkammer	Corps de pompe			
11	31055072		1	Volute	Kreiselkammer	Corps de pompe	G2" horizontal	VO	
12	11470026		1	Washer	Scheibe	Rondelle	A6.4 DIN9021	1.4401	
13	11200229		1	Hexagonal screw	Sechskantschraube	Vis hexagonal	M5x12 DIN933	1.4401	
14	11090004	A	1	Lip seal	Wellendichtung	Joint à levres	Ø15x35x8 DIN3760		
15	11030046		0.5L	Oil	Öl	Huile			
16	11080078		1	Circlip	Sicherungsring	Circlip	Ø35x1.5 DIN472		
17	11110172		1	Mechanical seal	Gleitringdichtung	Garniture Mecanique	Ø15mm	SIC/SIC	
18	11200303		3	Hexagonal screw	Sechskantschraube	Vis hexagonal	M5x20 DIN933		
19	11400049		4	Hexagonal nut	Sechskantmutter	Ecrou hexagonal	M5 DIN985		
20	43025300		1	Cable EasyFit	Kabel EasyFit	Cable EasyFit	10m Non-KS (WP)		
20	43025303		1	Cable EasyFit	Kabel EasyFit	Cable EasyFit	10m KS (WP)		
20	43025301		1	Cable EasyFit	Kabel EasyFit	Cable EasyFit	3m KS (WP)		
21	11400049		2	Hexagonal nut	Sechskantmutter	Ecrou hexagonal	M5 DIN985		
23	11120518	A	1	O-ring	O-ring	Joint torique	Ø25x2.5 DIN3771		
24	11650001	A	1	Locking Washer	Klemmscheibe	Rondelle-frein	M8 PVC/NITR		
25	11260100		1	Lens Head Screw	Flachkopfschraube	Vis à tête plate	M8x10 DIN85		
26	11120141	A	1	O-ring	O-ring	Joint torique	Ø7x3 DIN3771		
27	11250121		1	Cylinder screw	Zylinderschraube	Vis à tête cylindrique	M8x10 DIN84		
28	43075086		1	O-ring	O-ring	Joint torique			
29	12990022		1	Ball	Kugel	Bille	Ø10mm		
30	44125010		1	KS Rod	KS Haltestange	KS support flotteur			
31	11370064		1	Self-tapping screw	Zyl.Blechschrabe	Vis	Ø4.0x22 WN1441		
32	41420542		1	KS Bracket	KS Haltewinkel	KS butée flotteur			
33	15000009		1	Coupling	Kupplung	Accouplement	R2" Female	STORZ-C	
34	13720020		1	Elbow	Krümmer	Coude	R2" 90° Equal male	Galv short	
35	43075087		1	Seal	Dichtung	Joint			
36	41135003		1	Screen	Sieb	Grille de retenue			
37	11470017		3	Washer	Scheibe	Rondelle	A5.3 DIN125		
38	11200229		3	Hexagonal screw	Sechskantschraube	Vis hexagonal	M5x12 DIN933	1.4401	
39	12810118		1	Capacitor	Kondensator	Condensateur	30µF 400V	MF 504	
	61195088	A	1	Seal kit	Dichtungssatz	Jeu de joint complet			



C	SPARE PARTS LIST / ERSATZTEILLISTE LIST DE PIÉCES DE RECHANGE	ANS13.341 -02
		DATE/NAME: /B/McDonald
		CAD CODE/L: ANS13341
	MF 504W	Product Center: EM
		Technical changes reserved Änderungen vorbehalten Sous réserve de modification