

SULZER

Massblatt XFP 101G-VX Nassinstallation
 Dimension sheet Twin Guide Rail Installation
 Dimensioni Installazione sommersa
 Hoja de dimensiones instalacion sumergida
 Plan d'encombrement Installation noyee

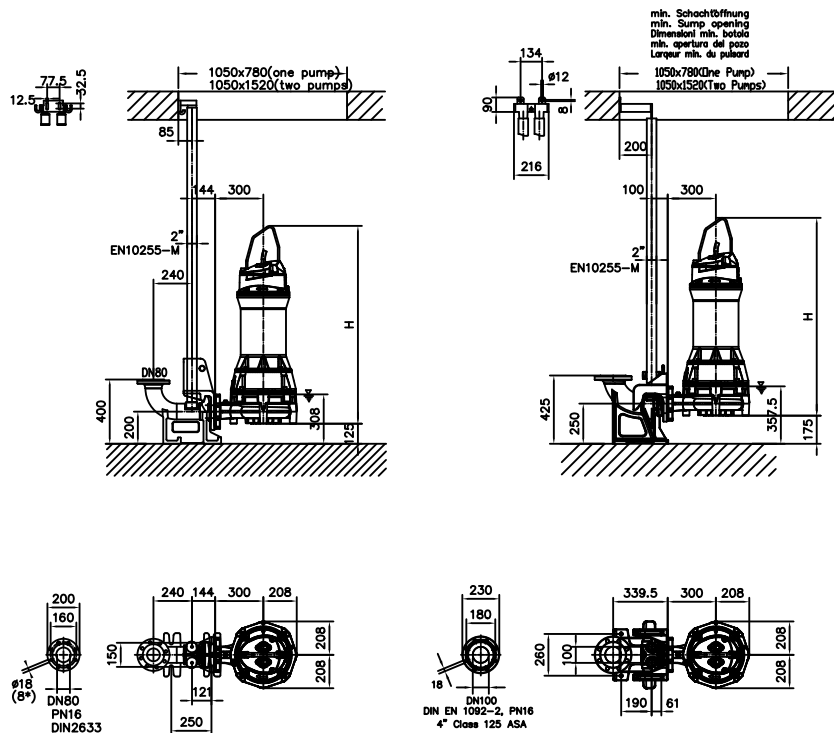
No: AN-M.22.644 -07
 Drawn: 23/11/10 D.Wheelan
 Issue Date: 22/06/2016
 Änderungen vorbehalten
 Technical changes reserved
 Con riserva di modifiche
 Con reserva de modificaciones
 Sous reserve de modification

50 Hz**60 Hz****S.I.**

Typ Type Tipo	Gewicht Weight Poids N.C.J. (kg)	Gewicht Weight Poids W.C.J. (kg)	Height H (mm)
PE 150/2	345	385	1232
PE 185/2	345	385	1232
PE 250/2	365	405	1232

Typ Type Tipo	Gewicht Weight Poids N.C.J. (kg)	Gewicht Weight Poids W.C.J. (kg)	Height H (mm)
PE 230/2	381	421	1232
PE 300/2	391	431	1232

N.C.J. = No Cooling Jacket
 W.C.J. = With Cooling Jacket



Gewicht: Behälter, Pumpe, Halterung/Fussstück und Kabel (50 Hz = 10 m; 60 Hz = 15 m)
 Weight: Includes pump, slider bracket and cable (50 Hz = 10 m; 60 Hz = 15 m)
 Peso: Incluye bomba, pieza intermedio a cavo (50 Hz = 10 m; 60 Hz = 15 m)
 Peso: Incluye bomba, soporte deslizando y cable (50 Hz = 10 m; 60 Hz = 15 m)
 Poids: Incluant la pompe, le coulisseau et le câble (50 Hz = 10 m; 60 Hz = 15 m)

Quse-Allgemeintoleranzen nach DIN1680 - GTB16
 General tolerances for castings in acc. to DIN1680-GTB16
 Tolleranze generali delle fusioni secondo DIN1680-GTB16
 Tolerancias generales para la fundición seg. de DIN1680-GTB16
 Tolérance générale de la fonderie selon DIN1680-GTB16

SULZER

Massblatt XFP 101G-VX Nassinstallation
 Dimension sheet Twin Guide Rail Installation
 Dimensioni Installazione sommersa
 Hoja de dimensiones instalacion sumergida
 Plan d'encombrement Installation noyee

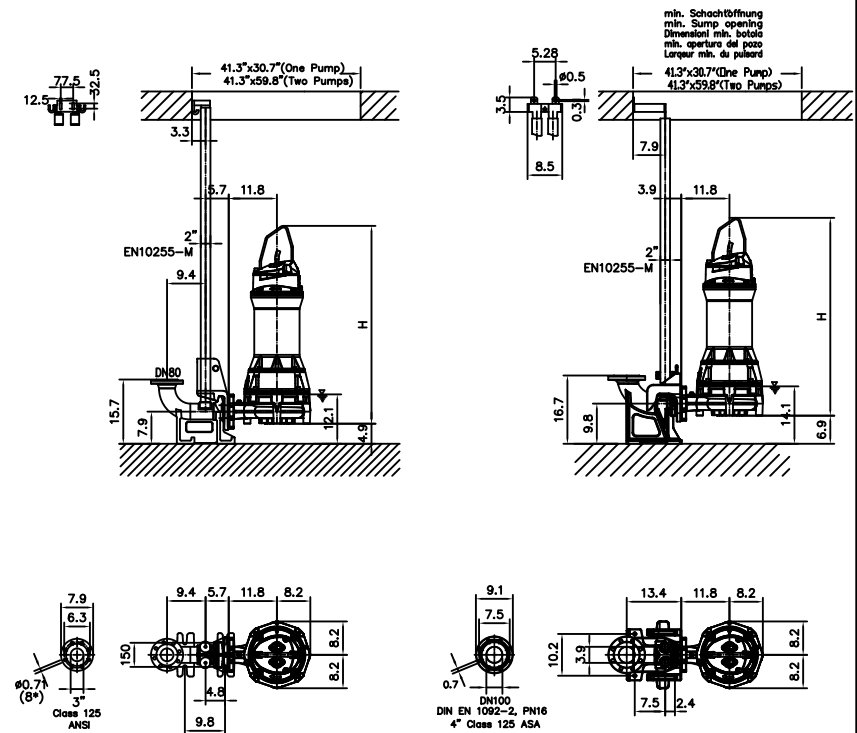
No: AN-M.22.644 -07
 Drawn: 23/11/10 D.Wheelan
 Issue Date: 22/06/2016
 Änderungen vorbehalten
 Technical changes reserved
 Con riserva di modifiche
 Con reserva de modificaciones
 Sous reserve de modification

50 Hz**60 Hz****U.S.**

Typ Type Tipo	Gewicht Weight Poids N.C.J. (lbs)	Gewicht Weight Poids W.C.J. (lbs)	Height H (")
PE 150/2	761	849	48.5
PE 185/2	761	849	48.5
PE 250/2	805	893	48.5

Typ Type Tipo	Gewicht Weight Poids N.C.J. (lbs)	Gewicht Weight Poids W.C.J. (lbs)	Height H (")
PE 230/2	805	893	48.5
PE 300/2	827	915	48.5

N.C.J. = No Cooling Jacket
 W.C.J. = With Cooling Jacket



Gewicht: Behälter, Pumpe, Halterung/Fussstück und Kabel (50 Hz = 10 m; 60 Hz = 15 m)
 Weight: Includes pump, slider bracket and cable (50 Hz = 10 m; 60 Hz = 15 m)
 Peso: Incluye bomba, pieza intermedio a cavo (50 Hz = 10 m; 60 Hz = 15 m)
 Peso: Incluye bomba, soporte deslizando y cable (50 Hz = 10 m; 60 Hz = 15 m)
 Poids: Incluant la pompe, le coulisseau et le câble (50 Hz = 10 m; 60 Hz = 15 m)

Quse-Allgemeintoleranzen nach DIN1680 - GTB16
 General tolerances for castings in acc. to DIN1680-GTB16
 Tolleranze generali delle fusioni secondo DIN1680-GTB16
 Tolerancias generales para la fundición seg. de DIN1680-GTB16
 Tolérance générale de la fonderie selon DIN1680-GTB16