

Floatation system J 205 - J 604

SULZER

General

A floatation system offers a modular system and cover pumps from 150 to 600 kg. The modular floatation system is easy to build and use to any of the dewatering pumps J 205 - J 604.

The floatation system offers:

- Safe installation with approved and classified 2 part lifting chain mounted on the lifting stand.
- Easy to adjust the length of the chain, for pump to be installed in the water correctly.
- Compact light weight design which is easy to install together with the pump.
- Flexible design with few parts required to build a floatation system for a variety of pumps. You simply add on another floatation module to increase the floating capacity.

Application

When a submersible drainage pump requires to be installed floating - Sulzer has the solution. In gravel pits, quarries, construction sites or on lakes for fountain applications it is often required to have the pump floating close to the surface.

The floatation system

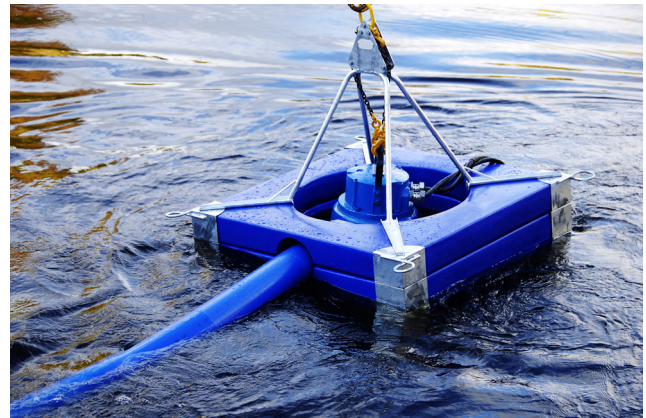
- Allows submersible pumps to float.
- Makes pumps visible and easy to identify where installed.
- Avoids unnecessary wear and the pumps will remain in good condition.

Material

Floatation ring/block: Oil resistant polyethylene filled with expanding polystyrene

Lifting stand/Corner covers: Hot dipped galvanized steel

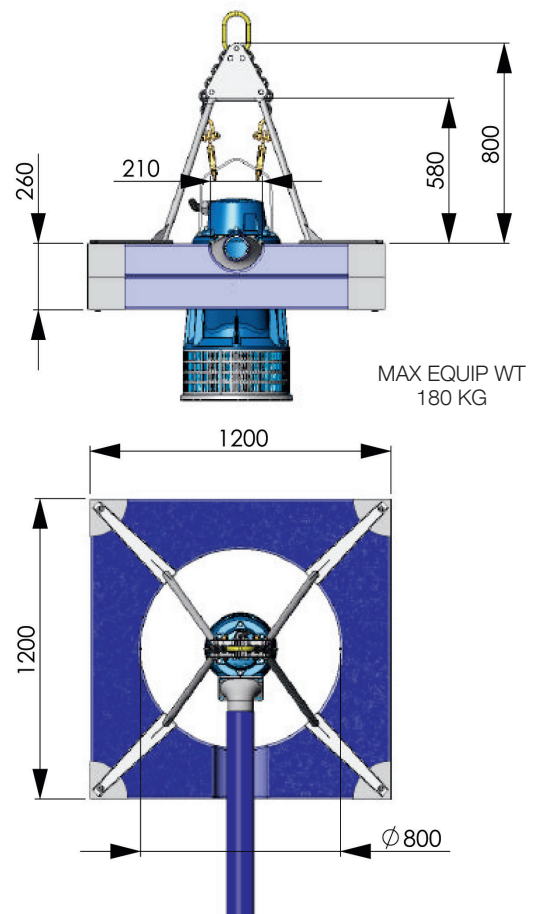
Stud screw and nuts: Chemical galvanized steel



Procedure

The floatation system is available as complete kits and as individual parts allowing the customer to design its own version if required. The complete kit includes an assembly and installation instruction, guiding you through the easy assembly of the floatation rings/blocks and the lifting stands with the 2 part lifting chain.

When lifting stand and floatation rings/blocks are mounted together, lift the unit on to the pump and attach the chain to the handle of the pump. Lift the complete floatation unit with pump in the lifting ring into its operation position. Anchor the floatation system.

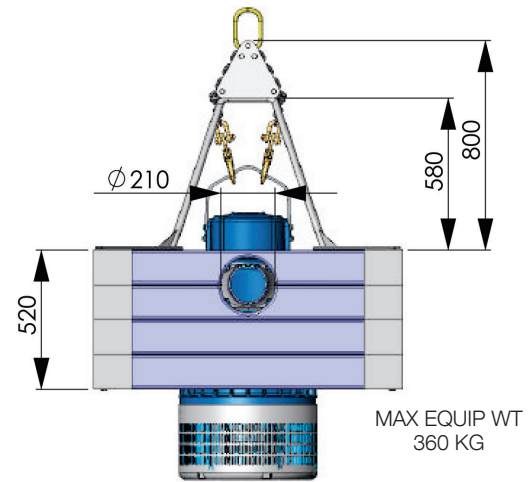


Floatation system J 205

P/N	Description	Weight/Pce	Qty
00831896	Floatation system J 205 compl.	52 kg	1
Included parts:			
00831890	Floatation ring	14 kg	2
00831891	1/4 corner cover	1.2 kg	8
00831912	Stud screw kit with nuts 260 mm (4x)	0.5 kg	1
00831893	Lifting stand	9.0 kg	1
00831894	Screw/nut kit for lifting stand	0.5 kg	1
00831895	Lifting chain 2-part	3.9 kg	1

Floatation system J 405

P/N	Description	Weight/Pce	Qty
00831913	Floatation system J 405 compl.	90 kg	1
Included parts:			
00831890	Floatation ring	14 kg	4
00831891	1/4 corner cover	1.2 kg	16
00831917	Stud screw kit with nuts 525 mm (4x)	0.9 kg	1
00831893	Lifting stand	9.0 kg	1
00831894	Screw/nut kit for lifting stand	0.5 kg	1
00831895	Lifting chain 2-part	3.9 kg	1



Floatation system J 604

P/N	Description	Weight/Pce	Qty
00832132	Floatation system J 604 compl.	184 kg	1
Included parts:			
00831890	Floatation ring	14 kg	2
00832131	Floatation block	12 kg	8
00831891	1/4 corner cover	1.2 kg	16
00831916	3/4 corner cover	3.0 kg	8
00831912	Stud screw kit with nuts 260 mm (4x)	0.5 kg	5
00831893	Lifting stand	9.0 kg	1
00831894	Screw/nut kit for lifting stand	0.5 kg	1
00831895	Lifting chain 2-part	3.9 kg	1
00832040	Lifting strap	0.1 kg	1

