

HST™ 40 turbocompressor

A highly efficient and reliable single-stage centrifugal compressor for the provision of oil-free, low-pressure compressed air.

Construction

High-speed electric motor

A horizontally mounted high-frequency electric motor for variable speed operation. The motor is air-cooled by an integrated shaft mounted fan and the windings are protected by Pt100-sensors monitored by the local control system.

Air end

The impeller has been designed to optimize performance and is machined from a solid piece of high-strength aluminum alloy. The volute and other main components are made from cast aluminum. A non-contact seal between air-end and motor minimizes losses to maintain high efficiency.

Variable frequency drive

Flow control is provided by a built-in variable frequency drive which also accommodates variations in outlet pressure and ambient inlet conditions. The variable frequency drive's soft-start facility eliminates peak starting currents.

Active magnetic bearings

Two radial bearings and two axial bearings support the rotor. The magnetic bearing controller uses data provided by multiple sensors to continuously manage the position of the rotor.

Blow-off valve

The blow-off valve is mounted within the acoustic enclosure with further attenuation provided by an integrated silencer.

Acoustic enclosure

The enclosure provides protection for the electrical and mechanical components and provides efficient noise attenuation for the machine. The enclosure is constructed from zinc-plated steel. It is suitable for indoor use (IP33D).

Integrated components

The filters for cooling air and the motor cooling silencers are all integrated into the main assembly.



Compressor control

Local control

The built-in local Human-Machine-Interface (HMI) provides control and monitoring for the safe and efficient operation of the machine. Flow may be controlled directly by the operator, or alternatively, the turbocompressor can follow a given reference value. The local HMI uses a color touch screen to provide access to the operator.

Connections

Analog and digital control and monitoring connections are built in. Fieldbus connections such as Profibus, Profinet, Modbus RTU, Modbus TCP, and EtherNet/IP are available as options.

Remote connections

A secure connection facilitating service and monitoring can be ordered as an option.

Options

Various options for handling special requirements regarding e.g. temperature, dusty environments, and locations with high moisture can be selected.

Accessories

Pipework accessories for installation such as flexible joints, valves, silencers, and air filters are available from Sulzer.

Performance testing

Compressor performance tests are performed on every machine manufactured and certificates issued to confirm compliance. The tests are carried out at the Sulzer factory test facility. Performance is guaranteed with a manufacturing tolerance of $\pm 2\%$ and a measurement tolerance according to ISO 5389. Optionally tests can be performed in full accordance with ISO 5389 and/or witnessed by the client.

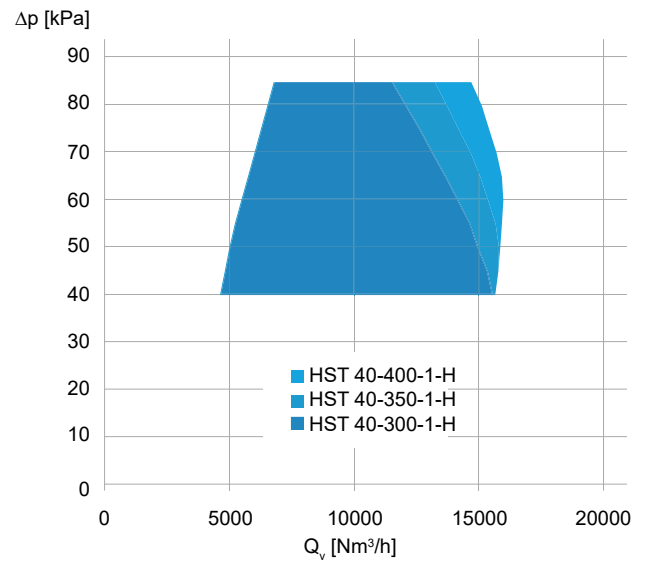
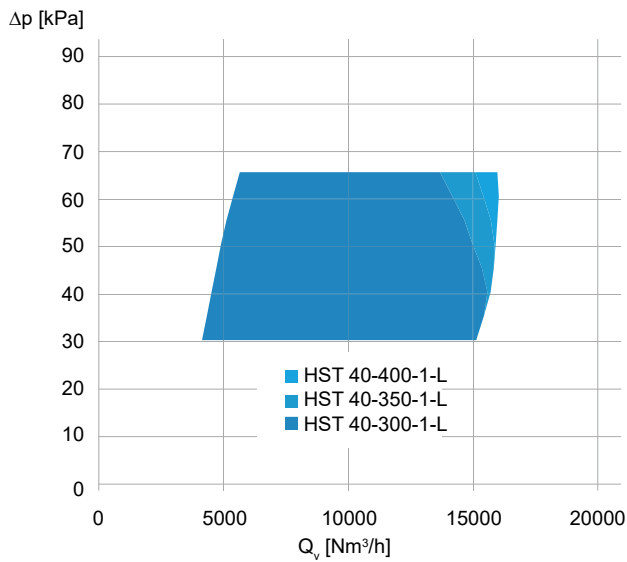
Certification and standards

The product is CE certified. For CE marking it complies with:

- Machinery directive (MD) 2006/42/EC
- Electromagnetic compatibility (EMCD) 2014/30/EU

The product is designed and manufactured in accordance with the EN 61800-3 standard and intended for use in second environment locations, e.g. in industrial areas.

Performance



Compressor data

	HST 40-	300-1-L	350-1-L	400-1-L	300-1-H	350-1-H	400-1-H
Air flow range [Nm ³ /h]		4400-15600	4400-15900	4400-16100	4800-15600	4800-15900	4800-16100
Pressure rise [kPa]		30-65	30-65	30-65	40-85	40-85	40-85
Max. noise level [dB]		67	70	70	65	66	69
Input power [kW]		300	350	400	300	350	400
Main supply voltage [V]		380-690	380-690	380-690	380-690	380-690	380-690
Input power frequency [Hz]		50/60	50/60	50/60	50/60	50/60	50/60
400 V	Max. input current [A] ⁽¹⁾	470	548	626	470	548	626
	Cable size [mm ²]	2x(3x150+70)	2x(3x185+95)	2x(3x240+120)	2x(3x150+70)	2x(3x185+95)	2x(3x240+120)
	Fuse size [A]	500	630	630	500	630	630
500 V	Max. input current [A] ⁽¹⁾	376	438	501	376	438	501
	Cable size [mm ²]	2x(3x120+70)	2x(3x150+70)	2x(3x185+95)	2x(3x120+70)	2x(3x150+70)	2x(3x185+95)
	Fuse size [A]	400	500	630	400	500	630
690 V	Max. input current [A] ⁽¹⁾	272	318	363	272	318	363
	Cable size [mm ²]	3x240+120	2x(3x120+70)	2x(3x150+95)	3x240+120	2x(3x120+70)	2x(3x150+95)
	Fuse size [A]	315	400	400	315	400	400
Weight [kg]		1900	1900	1900-2100	1900	1900	1900-2100

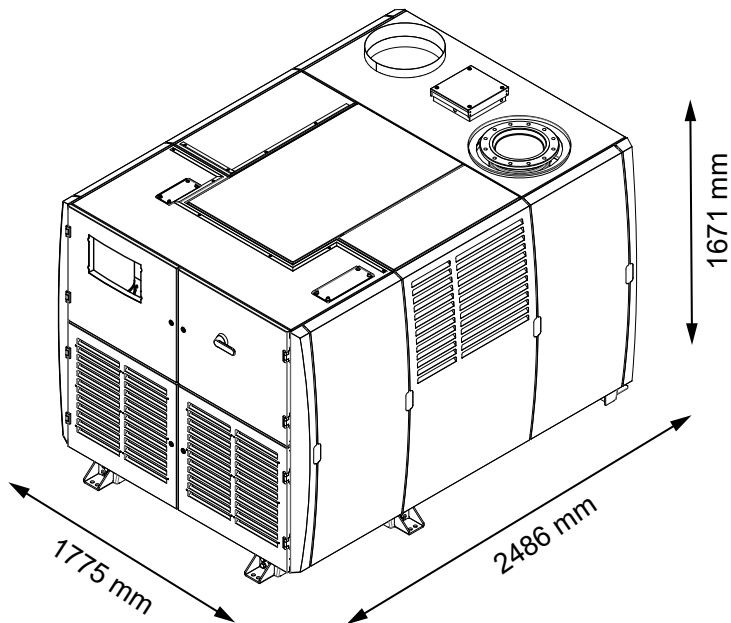
⁽¹⁾ The maximum input current is calculated using the nominal voltage. The cable and fuse sizes are recommendations and based on the supply current and cables rated to 70 °C.

Installation requirements

Maximum altitude	2500 m above sea level ⁽¹⁾
Air quality, permitted chemical vapors	IEC 60721-3-3 class 3C3
Ambient temperature	Min. -10 °C, max. +45 °C
Ambient relative humidity	< 95%, non-condensing, non-corrosive, no dripping water
Inlet process air temperature	Min. -30 °C, max. +50 °C

Sulzer may approve applications outside these criteria.

⁽¹⁾ 2000 m above sea level for 690 V compressors.



[sulzer.com](https://www.sulzer.com)

E10437 en 4 1.2025, Copyright © Sulzer Ltd 2025

This data sheet is a general product presentation. It does not provide a warranty or guarantee of any kind. Please contact us for a description of the warranties and guarantees offered with our products. Directions for use and safety will be given separately. All information herein is subject to change without notice.