



Only three service kits
needed to support fast
AGISTAR™ SSA service

Service Kits for AGISTAR™ SSA Agitators

When your agitator needs service, you should not have to worry about spending valuable time searching for the right parts – or even worse, finding out that some small but vital parts are missing. With Sulzer service kits you get everything you need in one package.

Tailor-made service solution

Sulzer has tailored three service kits, bearing unit, gland packing and propeller service kits, for AGISTAR SSA to help and simplify the service tasks. All the required o-rings and other small parts are in one package for specific service.

Easy to order and use

Purchasing is convenient as each service kit has one unique item code covering all the items in the kit. Parts in the service kits are clearly marked with their own unique identification numbers. Sturdy packaging protects the individual items from damage, and it can be recycled after use.

Key customer benefits

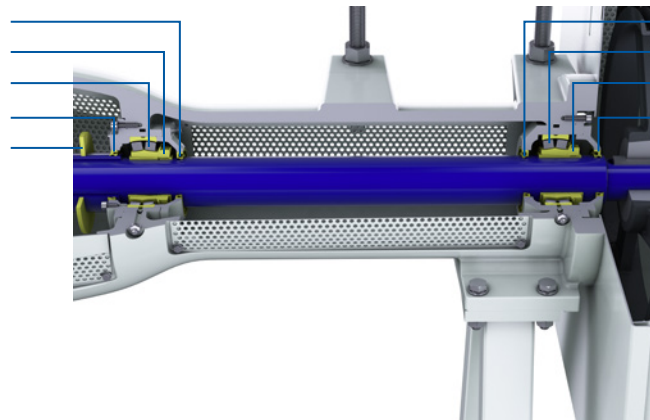
- All the necessary parts in one package
- Easy to order
- Easy to identify and use
- Reduced inventories
- Original spare parts ensure compatibility and reliability, and reduce lifecycle costs



Service Kits for AGISTAR™ SSA Agitators

Bearing unit service kit

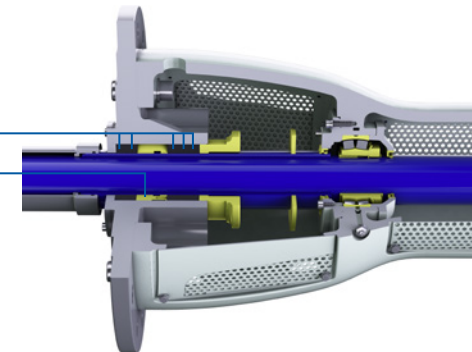
- 421.02 Radial lip seal
- 370.01 Bearing shell
- 320.01 Antifriction bearing
- 421.01 Radial lip seal
- 507.01 Deflector



- 421.03 Radial lip seal
- 320.02 Antifriction bearing
- 370.02 Bearing shell
- 421.04 Radial lip seal

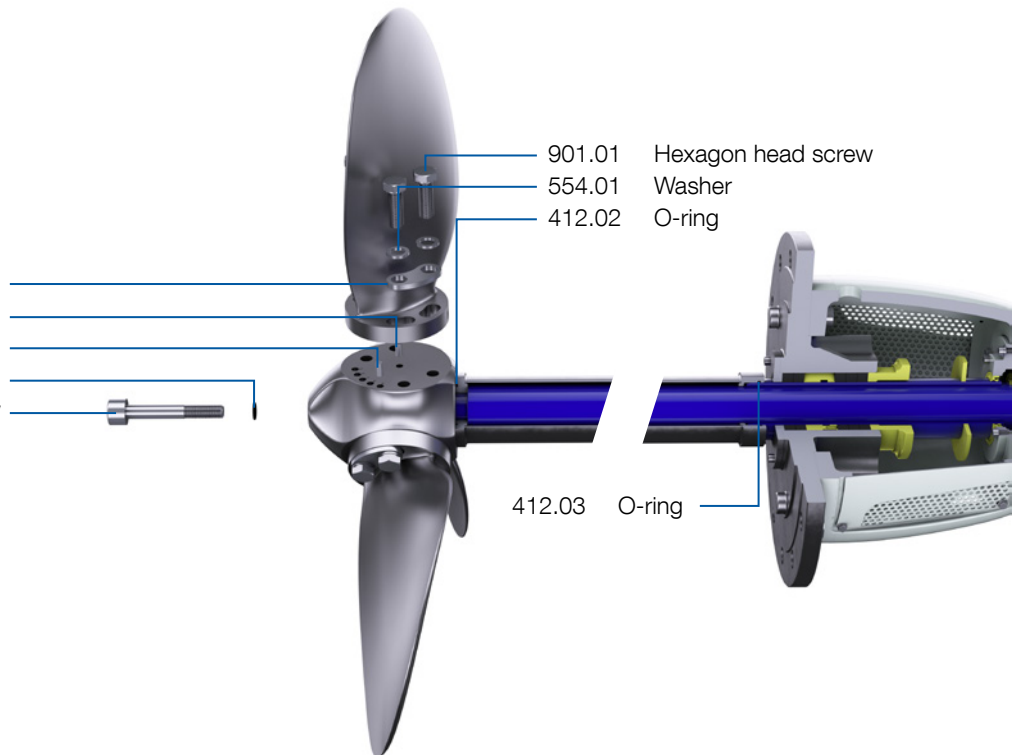
Gland packing service kit

- 461.01 Gland packing
- 458.01 Lantern ring



Propeller service kit

- 557.01 Sole plate
- 564.01 Pin
- 564.02 Pin
- 412.01 O-ring
- 906.01 Impeller screw



- 901.01 Hexagon head screw
- 554.01 Washer
- 412.02 O-ring

- 412.03 O-ring