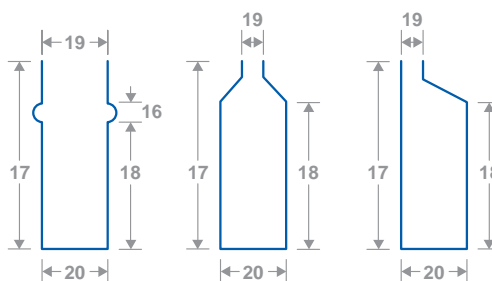
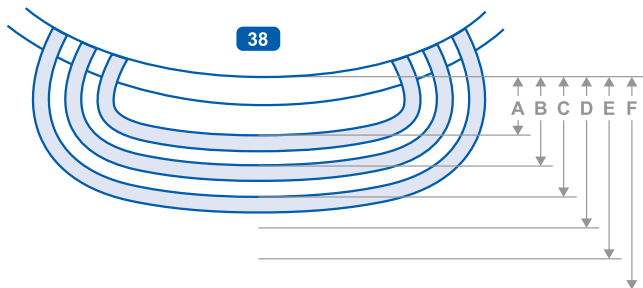
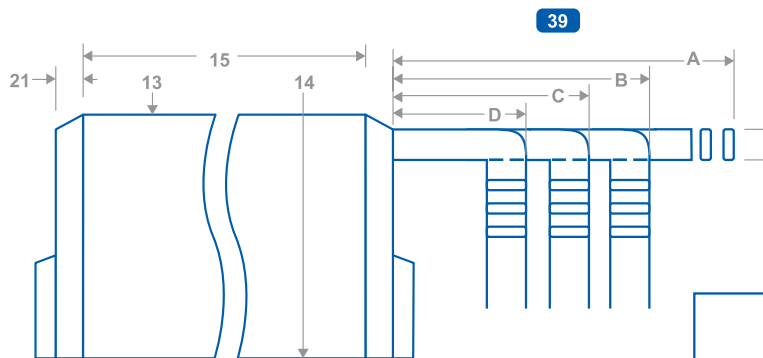
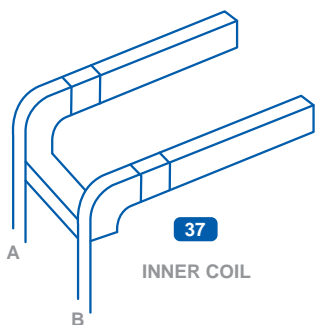


Company:	Contact:
Email:	Address:
City:	State:
Post Code:	Country:
Phone Number:	Fax Number:

Cyberforms

Anti-Spam; Please retype the words above, into the security field below.
nb. a correct answer is required to submit this form

1. Make Of Machine	2. Serial Number	3. Frame Number						
4. Rated Output (HP / k.V.A / kW)	5. Voltage (V)	6. Current (A)						
7. Frequency (Hz)	8. Phase	9. Insulation Class						
10. Rated Speed (rpm)	11. Number Of Slots	12. Number Of Coils						
13. Core Bore	14. Core Outside Diameter	15. Core Length						
16. Wedge Groove	17. Slot Depth	18. Coil Space						
19. Slot Width Top	20. Slot Width Bottom	21. Finger Plate Width						
22. Connection End Ring Extension	23. Connection End Ring Diameter	24. Back End Ring Extension						
25. Back End Ring Diameter	26. Coil Span	27. Connected Star Or Delta						
28. Coil Slot Length Top	29. Type Of Winding	30. Connection End Coil Projection						
31. Back End Coil Projection	32. Type Of Bracing	33. Number Of Turns Per Coil						
34. Bare Conductor Width	35. Bare Conductor Thickness	36. Number Of Conductors In Parallel						
37. Lead Position	A.	B.						
38. Drop Of Coil	A.	B.	C.	D.	E.	F.		
39. Formation Of Groups	Tier 2 D & C		Tier 2 A & B		Tier 2 D, C, & B		Tier 2 C, B, & A	
	A.	B.	C.	D.				



COIL SLOT SIDE CROSS SECTION