

Your Service Partner
Service Solutions for Renewable Power Generation





Customized Service Solutions

Your rotating equipment needs to have the highest levels of reliability. With our customized service solutions, we support you in keeping your operation and maintenance costs at a minimum.



Cutting-edge Services for Your Processes

Our expertise and commitment always deliver reliability, responsiveness, rapid turnaround and innovative solutions. We help you optimize your energy consumption and match equipment performance with process needs.

Hydro power generation



You want to keep maintenance costs and downtime of your generator to a minimum. Our proprietary hydro generator design tool allows generator performance to be upgraded by improving winding geometry and insulation materials to give increased output and improved efficiency. All coils can be manufactured in advance.

Geothermal power generation



Rapid turnaround and minimized disruption of your operations is our goal. Innovative repair processes for your steam turbines and pumps ensure reliability and improved efficiency. Customers benefit from a full range of services including repair and replacement of diaphragms, blades and impellers as well as rotors and casings.

Solar thermal power generation



We help you to maintain your rotating equipment at the highest levels of availability and reliability. Performance analysis and inspection by our experts help identify possible improvements. Our fully equipped workshops and engineering teams help minimize turnaround time.

Wind power generation



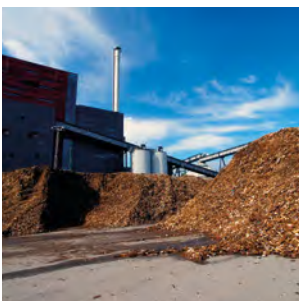
Technology in the field of wind turbines has evolved rapidly over the last years. Sulzer is your partner in maintaining and servicing your equipment fast to limit downtime. Shop-based repairs such as a generator rewind are performed with improved performance in mind. To minimize cost, and where space is available, we can complete bearing exchanges within the tower.

Combined heat and power generation



The professional maintenance of your complete system ensures economic operations. Rely on our extensive experience in the repair and replacement of gas turbine components. Our field service teams are at your side whenever needed to help increase availability and enhance your competitive advantage.

Waste-to-energy and biomass power generation



To reduce operation and maintenance costs we develop tailored solutions to meet your service needs. We are dedicated to minimizing downtime and maximizing profitability. Reliable services for your steam turbine, generator, pumps and other rotating equipment help you to increase efficiency.

Services

Complete equipment overhauls

Retrofits

Rotor repairs

Combustion turbine component repairs

Parts manufacturing

- Shaft manufacturing
- Impeller manufacturing
- Blade manufacturing
- Wear parts (bearings, seals)

Weld repairs

- Submerged Arc Welding of rotors
- Combustion turbine blade weld repairs

Coatings

- Wear resistance/ Anti-Fouling
- Corrosion resistance
- Temperature control

Engineering services

- Machinery vibration diagnostics
- Performance upgrades
- Root Cause Failure analysis
- Structural analysis
- Metallurgical analysis
- Modal analysis
- Rotor dynamic analysis

At-speed balancing

Non Destructive Testing

Generator and motor repair services

- Stator/rotor testing
- Stator/rotor coil manufacture
- Generator and motor rewinds

Field services

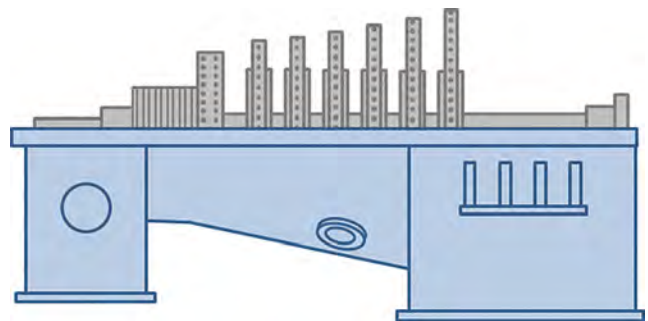
Equipment Panorama

When pumps, turbines, compressors, generators, and motors are essential to your operations, you need a service partner you can trust. With our technically advanced and innovative solutions, we give our customers the assurance they need to focus on their operations. Sulzer's advanced rotating equipment experience includes:

Steam turbines

50+ manufacturers / 450+ models

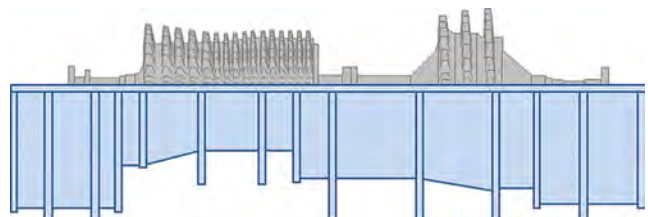
Working temperature: 950°F (510°C)
Power: 1 – 100 MW (1,300 – 134,000 hp)
Speed: 3,600 to 7,200 RPM
Weight: 200,000 lb (90 t)



Combustion turbines

28 manufacturers / 100 models

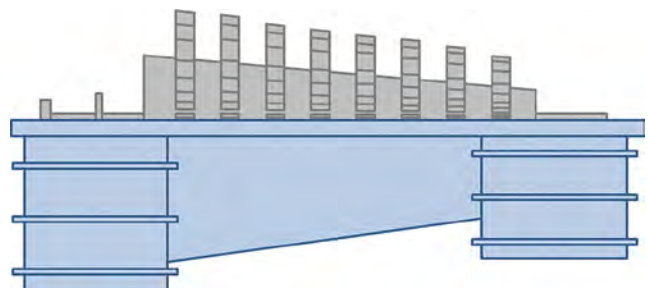
Working temperature: 2,500°F (1,371°C)
Power: 10 - 250 MW (13,000 - 335,000 hp)
Speed: 3,600 RPM
Weight: 200,000 lb (90 t)



Axial flow compressors

20 manufacturers / 50+ models

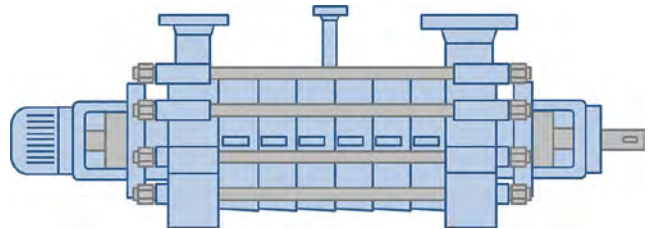
Power: up to 20,000 hp
Speed: 3,000 - 9,000 RPM
Dis. Pressure: up to 290 psi (20 bar)
Weight: 100,000 lb (45 t)



Pumps (overhung - vertical - axial - multistage)

30+ manufacturers / 200+ models

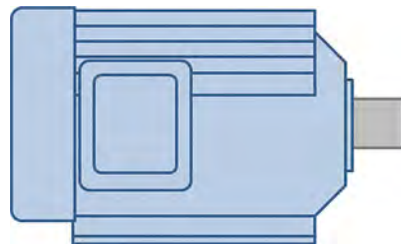
Working temperature: up to 400°F (200°C)
Dis. Pressure: 1,000 to 4,500 psi (70 - 310 bar)
Power: up to 10,000 hp
Speed: 3,600 to 6,000 RPM
Weight: 50,000 lb (23 t)



Motors

20+ manufacturers

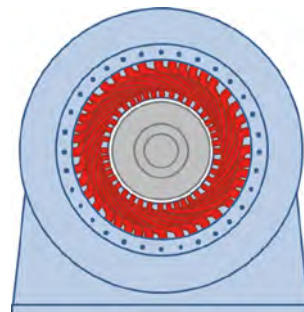
Power: Fractional - 60 MW (1 hp - 80,000 hp)
Voltage: 440 / 690 / 3300 / 4160 /
6600 / 11000 / 13800
Speed: 300 - 3,600 RPM
Weight: 100,000 lb (45 t)



Generators

20+ manufacturers

Power: 0.5 - 400 MW
Voltage: 440 / 690 / 3300 / 4160 /
6600 / 11000 / 13800
Speed: 300 - 3,600 RPM
Weight: 100,000 lb (45 t)



www.sulzer.com



E10310 en 11.2014, Copyright © Sulzer

This brochure is a general product presentation. It does not provide a warranty or guarantee of any kind. Please, contact us for a description of the warranties and guarantees offered with our products. Directions for use and safety will be given separately. All information herein is subject to change without notice.