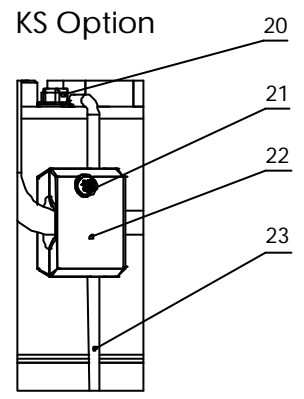
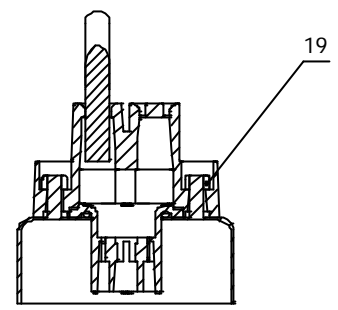
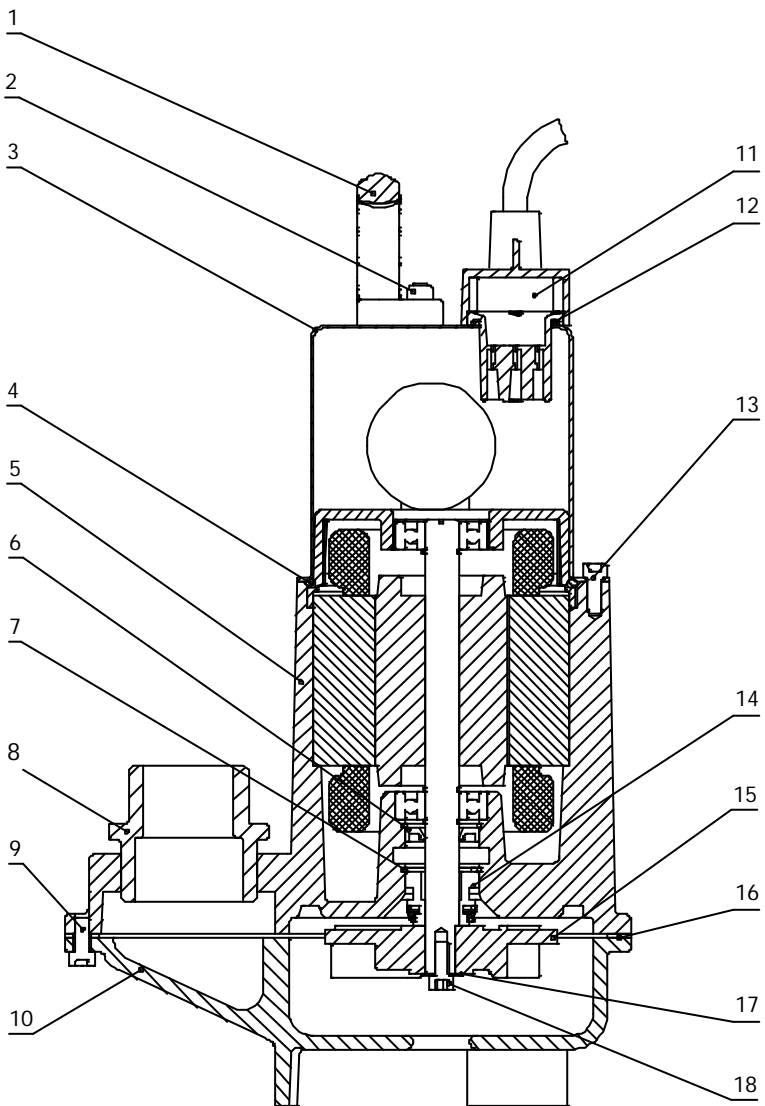
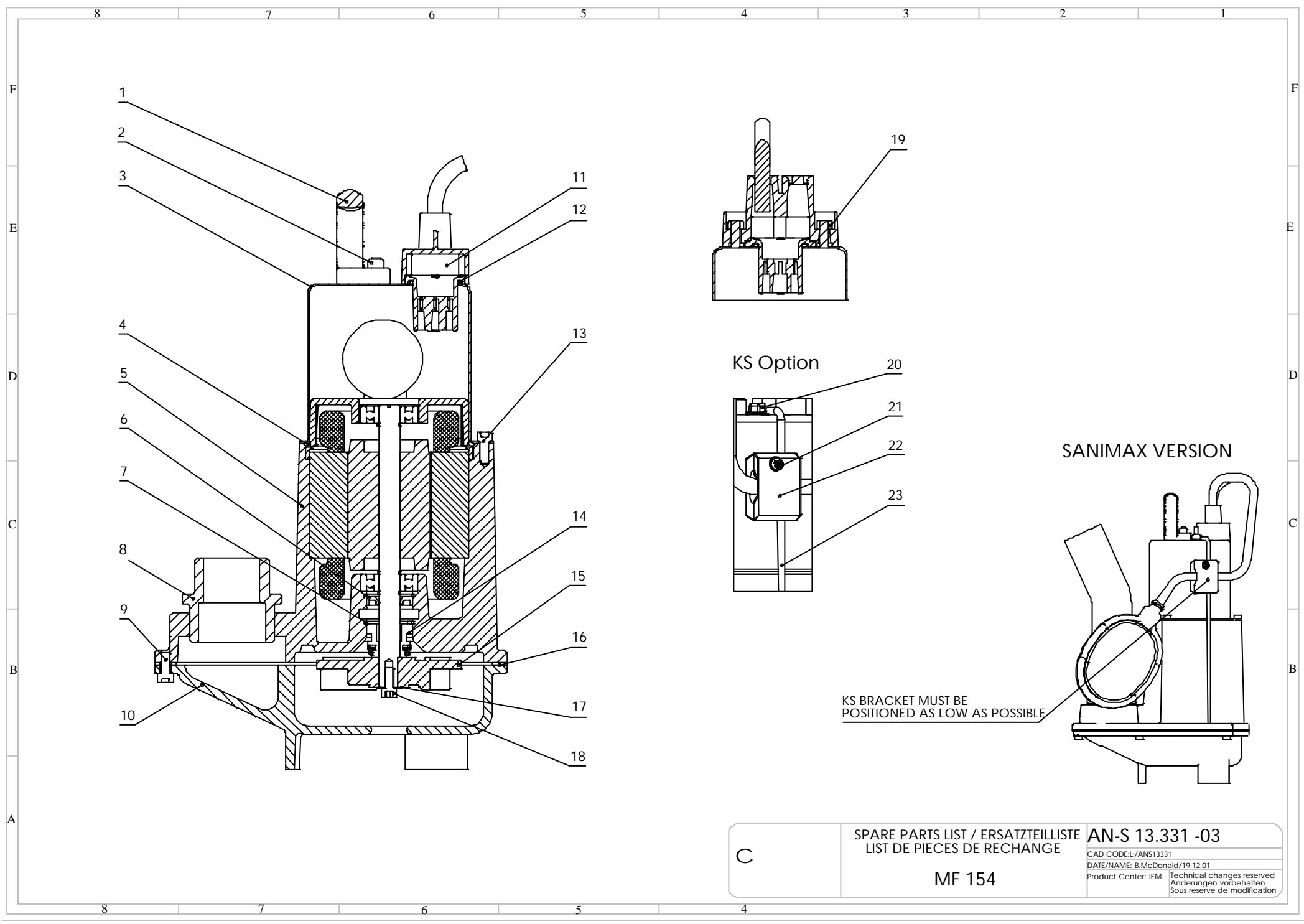



SPARE PARTS LIST/ERSATZTEILLISTE/LISTE DE PIÈCES DE RECHANGE
MF 154 50Hz

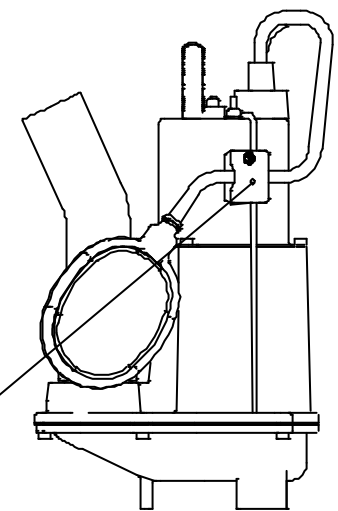
Valid from Serial Number: 100 -

 Page :
 Issue of : 20/10/11
 Supersedes Issue :
 Issue No. : 01,02,03,04
 Drawing ref. Nr. : ANS13331-03

Pos. No.	Part No.	Kit	Qty	Description	Benennung	Designation	Dimensions /Din	Comments	Price
1	42005005		1	Handle	Handgriff	Poignee		MF054-334	
2	11400049		2	Hexagonal nut	Sechskantmutter	Ecrou hexagonal	M5 DIN985		
3	62675022		4	Upper lid	Obererdeckel	Couvercle supérieur		Non-KS - Use 62675029	
3	62675029		1	Upper lid	Obererdeckel	Couvercle supérieur		Fully interchangeable	
3	62675029		1	Upper lid	Obererdeckel	Couvercle supérieur		KS (KS as Std.)	
4	11120195	A	1	O-ring	O-ring	Joint torique	88.49x3.53		
5	61275120		1	Motor	Motor	Moteur	230/1/50		
6	11090085	A	1	Lip seal	Wellendichtung	Joint à levres	Ø12x26x5 DIN3760		
7	11080072		1	Circlip	Sicherungsring	Circlip	Ø26x1.2 DIN472		
8	41185002		1	Hose Adapter	Rohrverbindung	Mamelon de racc	G1½"-1¼"		
9	11210254		5	Cylinder screw	Zylinderschraube	Vis à tête cylindrique	M5x12 DIN912		
10	31055054		1	Volute lower	Kreiselmutter unten	Corps de pompe inf.			
11	43025300		1	Cable EasyFit	Kabel EasyFit	Cable EasyFit	10m Non-KS (WP)	230/1/50	
11	43025303		1	Cable EasyFit	Kabel EasyFit	Cable EasyFit	10m KS (WP)	230/1/50	
11	43025301		1	Cable EasyFit	Kabel EasyFit	Cable EasyFit	3m KS (WP)	230/1/50	
12	11120518	A	1	O-ring	O-ring	Joint torique	Ø25x2.5 DIN3771		
13	11210254		3	Cylinder screw	Zylinderschraube	Vis à tête cylindrique	M5x12 DIN912		
14	11110169		1	Mechanical seal	Gleitringdichtung	Garniture mecanique	Ø12mm	LD1/12-GX	
15	41075041		1	Impeller	Lauftrad	Roue	Ø98	MF 324	
16	43075090		1	Seal	Dichtung	Joint		Viton	
17	11470026		1	Washer	Scheibe	Rondelle	A6.4 DIN9021	1.4401	
18	11210254		1	Cylinder screw	Zylinderschraube	Vis à tête cylindrique	M5x12 DIN912		
19	11400049		2	Hexagonal nut	Sechskantmutter	Ecrou hexagonal	M5 DIN985		
20	11400049		1	Hexagonal nut	Sechskantmutter	Ecrou hexagonal	M5 DIN985		
21	11370064		1	Self-tapping screw	Zyl.Blechschrabe	Vis	Ø4.0x22 WN1441		
22	41420542		1	KS Bracket	KS Haltewinkel	KS butée flotteur			
23	44125006		4	KS Rod	KS Haltestange	KS support flotteur		Use 44125008	
23	44125008		1	KS Rod	KS Haltestange	KS support flotteur		Fully interchangeable	
	61195086	A		Seal kit	Dichtungssatz	Jeu de joint complet			



SANIMAX VERSION



KS BRACKET MUST BE POSITIONED AS LOW AS POSSIBLE

C	SPARE PARTS LIST / ERSATZTEILLISTE LIST DE PIÈCES DE RECHANGE	AN-S 13.331 -03
		<small>CAD CODE:L/ANS13331</small>
		<small>DATE/NAME: B.McDonald/19.12.01</small>
	MF 154	<small>Product Center: IEM</small>
		<small>Technical changes reserved Änderungen vorbehalten Sous réserve de modification</small>