

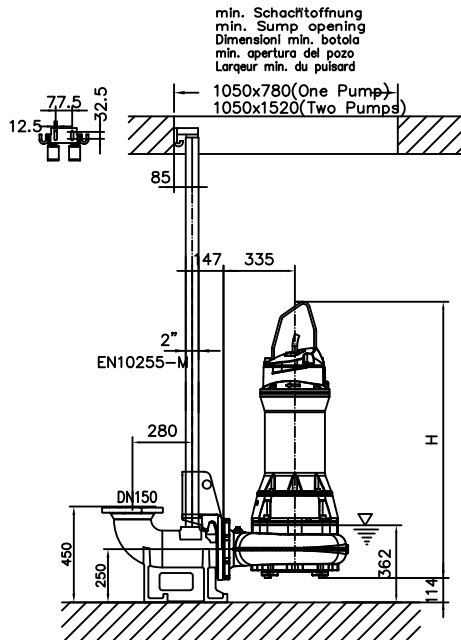
**SULZER**

Massblatt XFP 150G-CB1 Nassinstallation  
 Dimension sheet Twin Guide Rail Installation  
 Dimensioni Installazione sommersa  
 Hoja de dimensiones instalación sumergida  
 Plan d'encombremment Installation noyée

No: AN-M.22.595 - 06  
 Drawn: 05/08/10 D.Wheilan  
 Issue Date: 01/07/2016  
 Änderungen vorbehalten  
 Technical changes reserved  
 Con riserva di modifiche  
 Con reserva de modificaciones  
 Sous réserve de modification

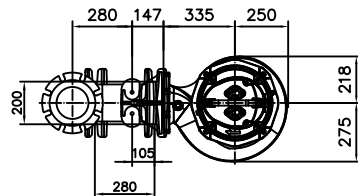
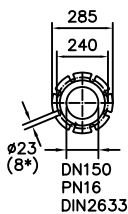
**50 Hz****S.I.**

Typ Type Tipo	Gewicht Weight Poids N.C.J. (kg)	Gewicht Weight Poids W.C.J. (kg)	Height H (mm)
PE 110/4	360	410	1297
PE 140/4	360	410	1297
PE 160/4	390	430	1297
PE 185/4	390	430	1297
PE 220/4	400	450	1337

**60 Hz**

Typ Type Tipo	Gewicht Weight Poids N.C.J. (kg)	Gewicht Weight Poids W.C.J. (kg)	Height H (mm)
PE 110/6	370	410	1297
PE 130/4	370	417	1297
PE 150/4	370	417	1297
PE 185/4	396	430	1297
PE 210/4	400	447	1297
PE 250/4	419	476	1337

N.C.J. = No Cooling Jacket  
 W.C.J. = With Cooling Jacket



Gewicht: Beinhaltet Pumpe, Halterung (Fussstück) und Kabel (50 Hz = 10 m; 60 Hz = 15 m)  
 Weight: Includes pump, slider bracket and cable (50 Hz = 10 m; 60 Hz = 15 m)  
 Peso: include pompa, pezzo intermedio a cavo (50 Hz = 10 m; 60 Hz = 15 m)  
 Peso: incluye bomba, soporte deslizante y cable (50 Hz = 10 m; 60 Hz = 15 m)  
 Poids : incluant la pompe, le coulisseau et le câble (50 Hz = 10 m; 60 Hz = 15 m)

Guss-Allgemeintoleranzen nach DIN1680 - GTB16  
 General tolerances for castings in acc. to DIN1680-GTB16  
 Tolleranze generali delle fusioni secondo DIN1680-GTB16  
 Tolerancias generales para la fundición seg. de DIN1680-GTB16  
 Tolérance générale de la fonderie selon DIN1680-GTB16

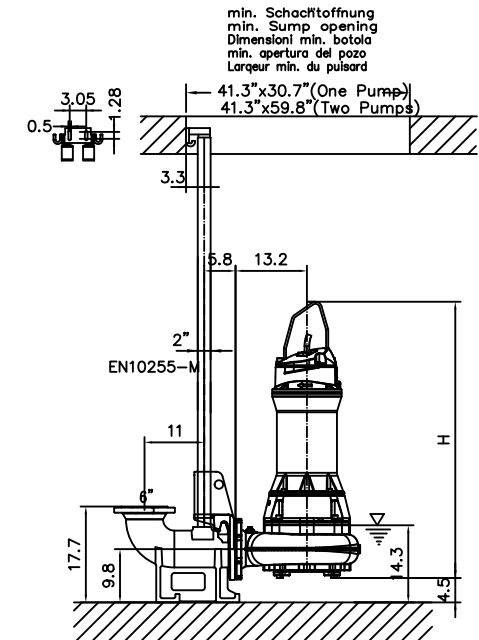
**SULZER**

Massblatt XFP 150G-CB1 Nassinstallation  
 Dimension sheet Twin Guide Rail Installation  
 Dimensioni Installazione sommersa  
 Hoja de dimensiones instalación sumergida  
 Plan d'encombremment Installation noyée

No: AN-M.22.595 - 06  
 Drawn: 05/08/10 D.Wheilan  
 Issue Date: 01/07/2016  
 Änderungen vorbehalten  
 Technical changes reserved  
 Con riserva di modifiche  
 Con reserva de modificaciones  
 Sous réserve de modification

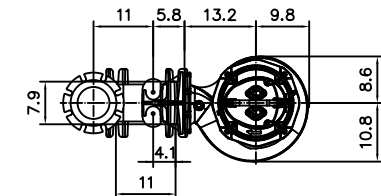
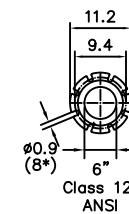
**50 Hz****U.S.**

Typ Type Tipo	Gewicht Weight Poids N.C.J. (lbs)	Gewicht Weight Poids W.C.J. (lbs)	Height H (")
PE 110/4	794	904	51.1
PE 140/4	794	904	51.1
PE 160/4	860	948	51.1
PE 185/4	860	948	51.1
PE 220/4	882	993	52.6

**60 Hz**

Typ Type Tipo	Gewicht Weight Poids N.C.J. (lbs)	Gewicht Weight Poids W.C.J. (lbs)	Height H (")
PE 110/6	816	904	51.1
PE 130/4	816	904	51.1
PE 150/4	816	904	51.1
PE 185/4	860	948	51.1
PE 210/4	882	971	51.1
PE 250/4	924	1050	52.6

N.C.J. = No Cooling Jacket  
 W.C.J. = With Cooling Jacket



Gewicht: Beinhaltet Pumpe, Halterung (Fussstück) und Kabel (50 Hz = 10 m; 60 Hz = 15 m)  
 Weight: Includes pump, slider bracket and cable (50 Hz = 10 m; 60 Hz = 15 m)  
 Peso: include pompa, pezzo intermedio a cavo (50 Hz = 10 m; 60 Hz = 15 m)  
 Peso: incluye bomba, soporte deslizante y cable (50 Hz = 10 m; 60 Hz = 15 m)  
 Poids : incluant la pompe, le coulisseau et le câble (50 Hz = 10 m; 60 Hz = 15 m)

Guss-Allgemeintoleranzen nach DIN1680 - GTB16  
 General tolerances for castings in acc. to DIN1680-GTB16  
 Tolleranze generali delle fusioni secondo DIN1680-GTB16  
 Tolerancias generales para la fundición seg. de DIN1680-GTB16  
 Tolérance générale de la fonderie selon DIN1680-GTB16