

SULZER

Massblatt XFP 100G-VX Trockeninstallation
Dimension sheet DRY-WELL Installation
Dimensioni Installazione a secco
Hoja de dimensiones instalación en seco
Plan d'encombrement Installation à sec

No: AN-M.22.642 - 02
Drawn: 25/11/10 D.Whelan
Issue Date: 09/05/2013
Änderungen vorbehalten
Technical changes reserved
Con riserva di modifiche
Con reserva de modificaciones
Sous réserve de modification

50 Hz

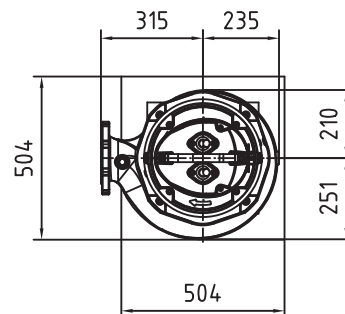
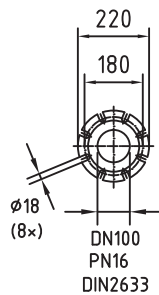
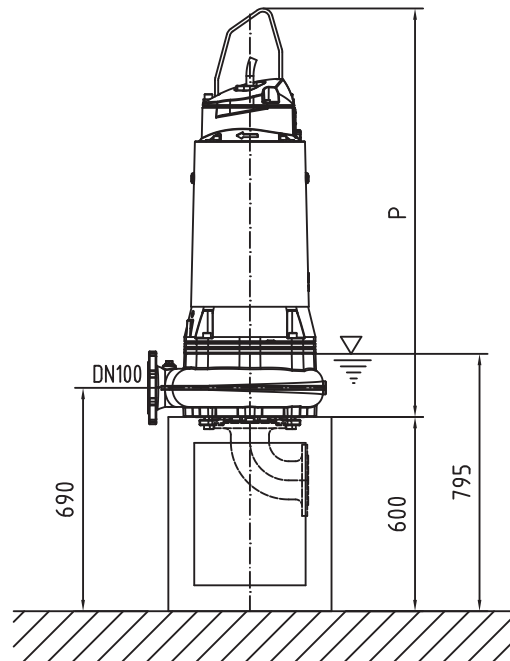
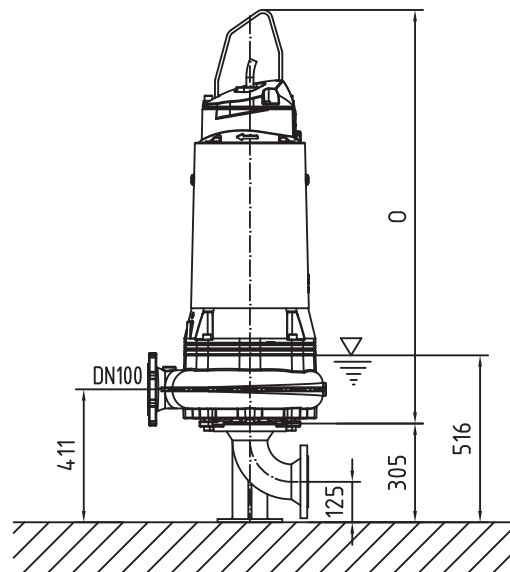
Typ Type Tipo	Gewicht Weight Poids N.C.J. (kg)	Gewicht Weight Poids W.C.J. (kg)	O (mm)	P (mm)
PE 110/4	330	370	1278	1262
PE 140/4	330	370	1278	1262
PE 160/4	350	390	1278	1262
PE 185/4	350	390	1278	1262

60 Hz

Typ Type Tipo	Gewicht Weight Poids N.C.J. (kg)	Gewicht Weight Poids W.C.J. (kg)	O (mm)	P (mm)

N.C.J. = No Cooling Jacket
W.C.J. = With Cooling Jacket

S.I.



Gewicht: Beinhaltet Pumpe und Kabel (50 Hz = 10 m; 60 Hz = 15 m)
Weight: includes pump and cable (50 Hz = 10 m; 60 Hz = 15 m)
Peso: include pompa e cavo (50 Hz = 10 m; 60 Hz = 15 m)
Peso: Incluye bomba y cable (50 Hz = 10 m; 60 Hz = 15 m)
Poids : incluant la pompe et le câble (50 Hz = 10 m; 60 Hz = 15 m)

Guss-Allgemeintoleranzen nach DIN1680 - GTB16
General tolerances for castings in acc. to DIN1680-GTB16
Tolleranze generali delle fusioni secondo DIN1680-GTB16
Tolerancias generales para la fundición seg. de DIN1680-GTB16
Tolérance générale de la fonderie selon DIN1680-GTB16

SULZER

Massblatt XFP 100G-VX Trockeninstallation

No: AN-M.22.642 - 02

Dimension sheet DRY-WELL Installation

Drawn: 25/11/10 D.Whelan

Dimensioni Installazione a secco

Issue Date:09/05/2013

Hoja de dimensiones instalación en seco

Änderungen vorbehalten
Technical changes reserved
Con riserva di modifiche
Con reserva de modificaciones
Sous réserve de modification

Plan d'encombrement Installation à sec

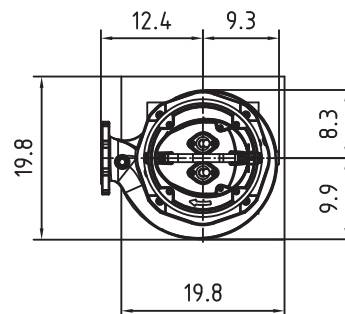
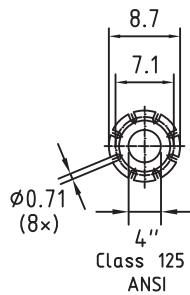
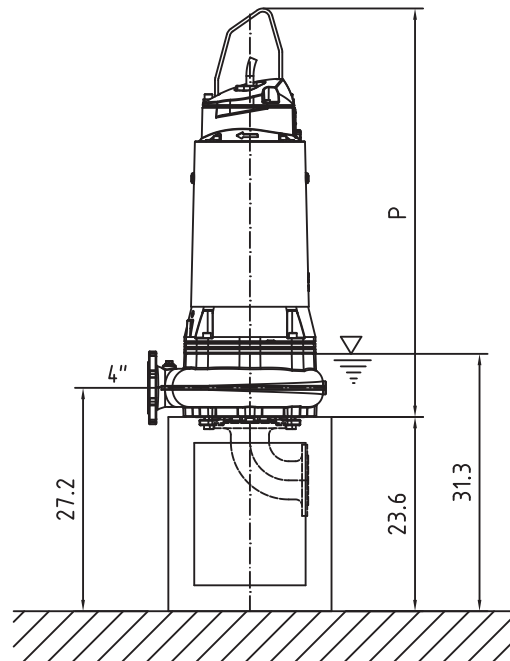
50 Hz**U.S.**

Typ Type Tipo	Gewicht Weight Poids N.C.J. (lbs)	Gewicht Weight Poids W.C.J. (lbs)	P (")
PE 110/4	726	814	49.7
PE 140/4	726	814	49.7
PE 160/4	770	858	49.7
PE 185/4	770	858	49.7

60 Hz

Typ Type Tipo	Gewicht Weight Poids N.C.J. (lbs)	Gewicht Weight Poids W.C.J. (lbs)	P (")

N.C.J. = No Cooling Jacket
W.C.J. = With Cooling Jacket



Gewicht: Beinhaltet Pumpe und Kabel (50 Hz = 10 m; 60 Hz = 15 m)

Weight: includes pump and cable (50 Hz = 10 m; 60 Hz = 15 m)

Peso: include pompa e cavo (50 Hz = 10 m; 60 Hz = 15 m)

Peso: Incluye bomba y cable (50 Hz = 10 m; 60 Hz = 15 m)

Poids : incluant la pompe et le câble (50 Hz = 10 m; 60 Hz = 15 m)

Guss-Allgemeintoleranzen nach DIN1680 - GTB16

General tolerances for castings in acc. to DIN1680-GTB16

Tolleranze generali delle fusioni secondo DIN1680-GTB16

Tolerancias generales para la fundición seg. de DIN1680-GTB16

Tolérance générale de la fonderie selon DIN1680-GTB16