

SULZER

Massblatt XFP 100E-VX Trockeninstallation

No: AN-M.22.632 - 03

Dimension sheet DRY-WELL Installation

Drawn: 11.08.10 / D.Whelan

Dimensioni Installazione a secco

Issue Date: 09/05/2013

Hoja de dimensiones instalación en seco

Änderungen vorbehalten
Technical changes reserved
Con riserva di modifiche
Con reserva de modificaciones
Sous réserve de modification

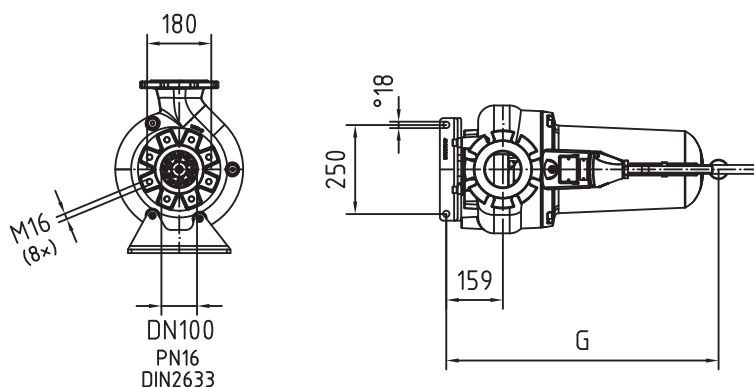
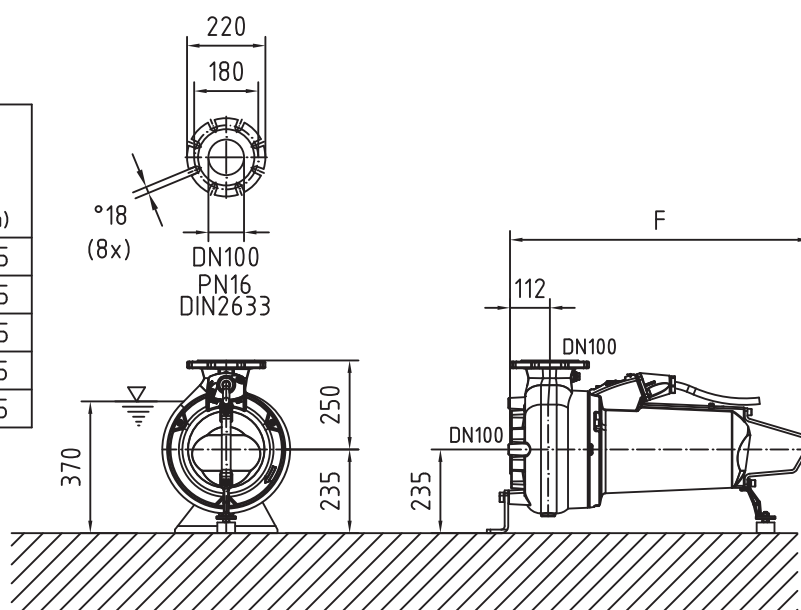
Plan d'encombrement Installation à sec

50 Hz**S.I.**

Typ Type Tipo	Gewicht Weight Poids Peso (kg)	F (mm)	G (mm)
PE 40/4	143	773	695
PE 60/4	153	773	695
PE 90/4	173	843	765

60 Hz

Typ Type Tipo	Gewicht Weight Poids Peso (kg)	F (mm)	G (mm)
PE 45/4	153	773	695
PE 56/4	143	773	695
PE 75/4	153	773	695
PE 90/4	183	843	765
PE 105/4	183	843	765



Gewicht: Beinhaltet Pumpe ,horizontal Stützen und Kabel (50 Hz = 10 m; 60 Hz = 15 m)
 Weight: includes pump, horizontal supports and cable (50 Hz = 10 m; 60 Hz = 15 m)
 Peso: include pompa, supporti orizzontali e cavo (50 Hz = 10 m; 60 Hz = 15 m)
 Peso: Incluye bomba, soporte horizontal y cable (50 Hz = 10 m; 60 Hz = 15 m)
 Poids : incluant la pompe, les supports horizontaux et le cable (50 Hz = 10 m; 60 Hz = 15 m)

Guss-Allgemeintoleranzen nach DIN1680 - GTB16
 General tolerances for castings in acc. to DIN1680-GTB16
 Tolleranze generali delle fusioni secondo DIN1680-GTB16
 Tolerancias generales para la fundición seg. de DIN1680-GTB16
 Tolérance générale de la fonderie selon DIN1680-GTB16

SULZER

Massblatt XFP 100E-VX Trockeninstallation

No: AN-M.22.632 - 03

Dimension sheet DRY-WELL Installation

Drawn: 11.08.10 / D.Whelan

Dimensioni Installazione a secco

Issue Date: 09/05/2013

Hoja de dimensiones instalación en seco

Änderungen vorbehalten
Technical changes reserved
Con riserva di modifiche
Con reserva de modificaciones
Sous réserve de modification

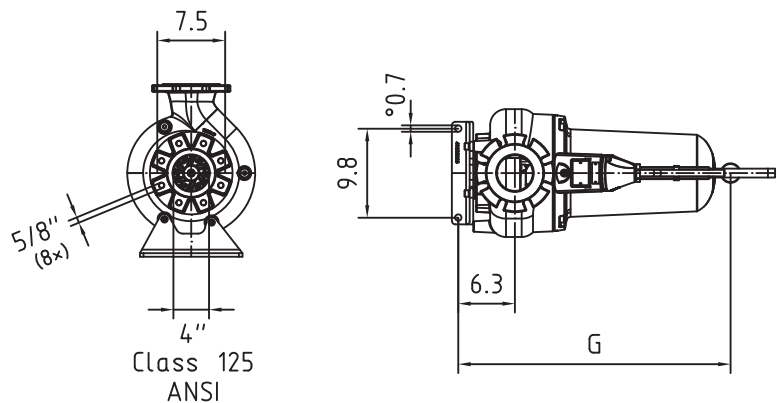
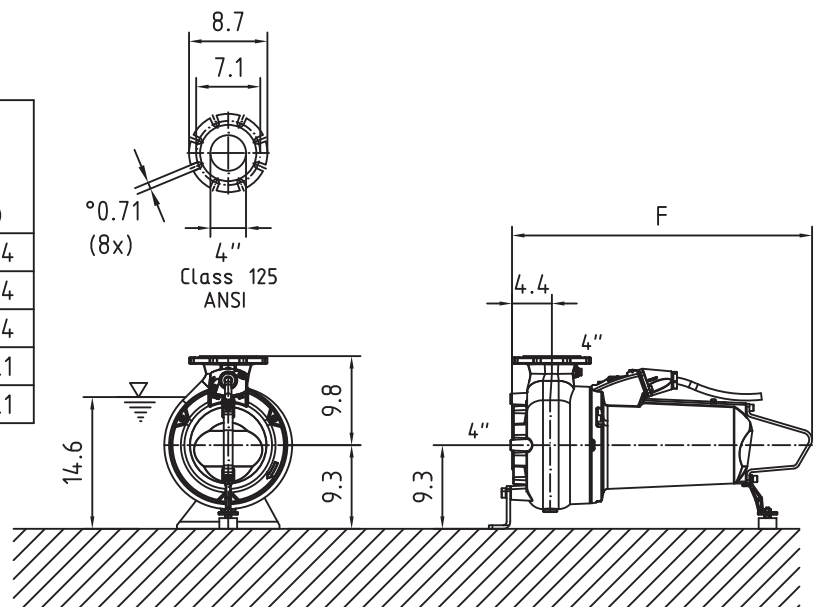
Plan d'encombrement Installation à sec

50 Hz**U.S.**

Typ Type Tipo	Gewicht Weight Poids Peso (lbs)	F (")	G (")
PE 40/4	316	30.4	27.4
PE 60/4	338	30.4	27.4
PE 90/4	382	33.2	30.1

60 Hz

Typ Type Tipo	Gewicht Weight Poids Peso (lbs)	F (")	G (")
PE 45/4	338	30.4	27.4
PE 56/4	316	30.4	27.4
PE 75/4	338	30.4	27.4
PE 90/4	404	33.2	30.1
PE 105/4	404	33.2	30.1



Gewicht: Beinhaltet Pumpe ,horizontal Stützen und Kabel (50 Hz = 10 m; 60 Hz = 15 m)
 Weight: includes pump, horizontal supports and cable (50 Hz = 10 m; 60 Hz = 15 m)
 Peso: include pompa, supporti orizzontali e cavo (50 Hz = 10 m; 60 Hz = 15 m)
 Peso: Incluye bomba, soporte horizontal y cable (50 Hz = 10 m; 60 Hz = 15 m)
 Poids : incluant la pompe, les supports horizontaux et le cable (50 Hz = 10 m; 60 Hz = 15 m)

Guss-Allgemeintoleranzen nach DIN1680 - GTB16
 General tolerances for castings in acc. to DIN1680-GTB16
 Tolleranze generali delle fusioni secondo DIN1680-GTB16
 Tolerancias generales para la fundicion seg. de DIN1680-GTB16
 Tolérance générale de la fonderie selon DIN1680-GTB16