

Submersible recirculation pump type ABS RCP

The submersible recirculation pumps type ABS RCP have been designed for pumping activated sludge in treatment plants during the nitrification and denitrification process, as well as for pumping of storm, surface and river water. As all submersible pumps and submersible mixers from Sulzer they have been designed for economical and reliable operation.

Application areas

The submersible recirculation pumps type ABS RCP have been designed for pumping activated sludge in treatment plants during the nitrification and denitrification process, as well as for pumping of storm, surface and river water. As all submersible pumps and submersible mixers from Sulzer they have been designed for economical and reliable operation.

Installation

The submersible recirculation pumps type ABS RCP are supplied with the wellproven automatic coupling system using a single guide rail. The single guide rail coupling system guarantees quick and economical installation.

The DIN-flange of the discharge line (supplied by the customer) forms the connection flange of the automatic coupling unit. A guide rail joins the connection flange with the pipe retainer at the top of the tank. The RCP is connected on to the guide rail and can be lowered easily. It reaches its correct operating position automatically and is immediately ready for use.

Construction

Available in two standard material versions:

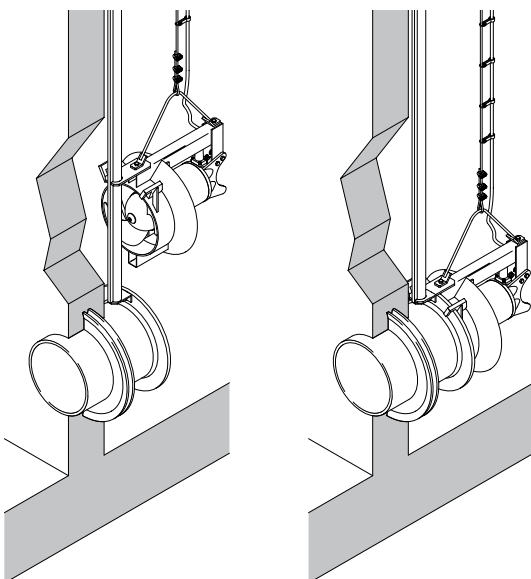
EC cast iron version (economical)

Motor housing and bracket made of GG-25/GGG-40, propeller and fasteners of motor made of stainless steel.

CR stainless steel version (corrosion resistant)

Motor housing made from stainless steel 1.4571, propeller stainless steel 1.4571, fasteners stainless steel 1.4401. Bracket stainless steel.

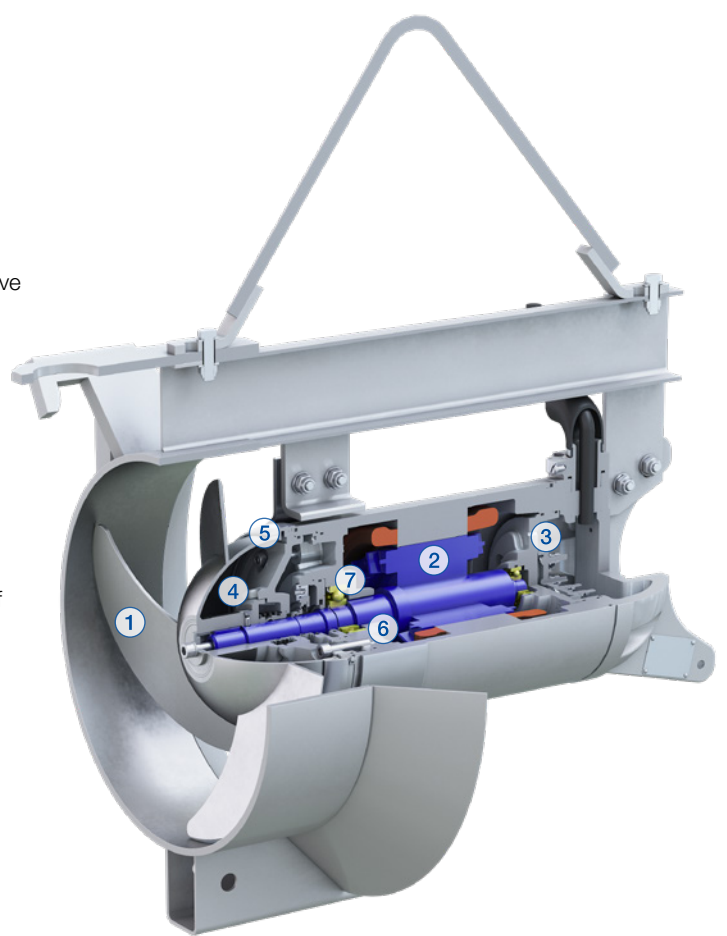
Valid for the RCP 400, 500 and 800. RCP 250: propeller stainless steel 1.4460.



Installation example

Features

- 1 Self-cleaning propeller, 2- or 3-blade, optimized for effective pumping and vibration-free running
- 2 Efficient three-phase motor, water pressure-tight encapsulated, protection type IP 68, stator insulation class F = 155°C.
Motor shaft and rotor dynamically balanced
 - Economical and reliable design
 - Continuous running 24/7
- 3 Cable connection area sealed from motor, with water pressure-tight cable inlet, antikink sleeve and strain relief
- 4 Double shaft sealing with medium side mechanical seal of pure sintered silicon carbide
- 5 Hydrodynamically designed solids deflection ring
- 6 DI-electrode for seal monitoring and indication that an inspection is due
- 7 Lubricated-for-life bearings with a calculated life of more than 100'000 operating hours

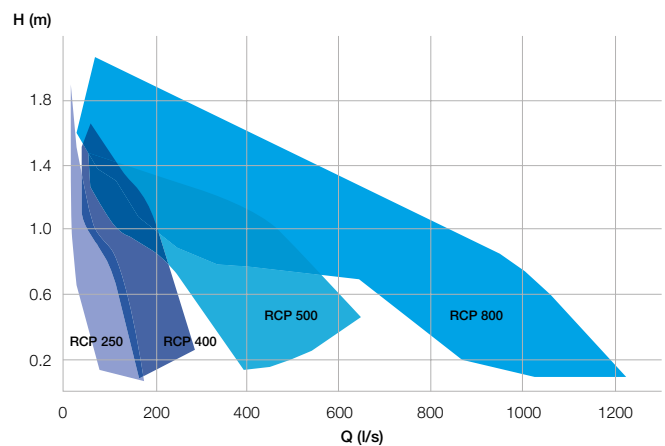


Compact design
 Maintenance friendly
 High hydraulic efficiencies
 High operation reliability
 Simple installation

Operating data

	50/60 Hz
Pipe diameter	DN 250 to DN 800
Motor power	1.5 - 25 kW
Flow max	up to 1'200 l/s
Head	up to 2.3 m

Performance range



How can we help you?
Contact us today to find your best solution.

sulzer.com

E10289 en 10.2024, Copyright © Sulzer Ltd 2024

This brochure is a general product presentation. It does not provide a warranty or guarantee of any kind. Please contact us for a description of the warranties and guarantees offered with our products. Directions for use and safety will be given separately. All information herein is subject to change without notice.