

## Service kits for SNS and TB mechanical seals

**Sulzer has created service kits for the easy and quick service of SNS and TB mechanical seals. Service kits offer a possibility to lengthen the lifetime of the mechanical seal and upgrade small parts materials without buying a complete new seal as a spare part.**

SNS mechanical service kits include all the small wear parts such as o-rings, springs and retaining rings. To increase the flexibility to service TB mechanical seals there are two service kits. Wear part service kit includes o-rings, gaskets, springs and set screws. Seal face service kit includes seal faces in their carriers. The service kits have been packed in one box making them readily to hand when servicing these mechanical seals. Slide faces are lapped.

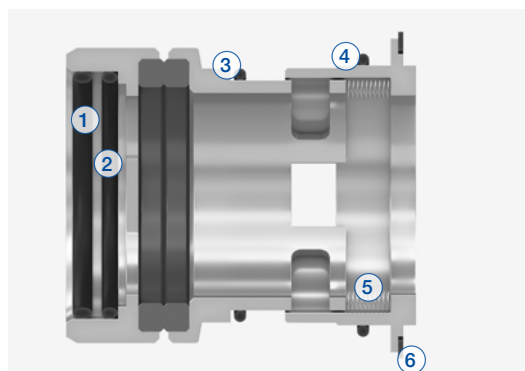
### Benefits

- All components required for SNS and TB mechanical seal service in one package
- Saves time and costs in maintenance, purchasing and inventories
- Original spare parts ensure compatibility and reliability and reduce lifetime costs
- Easy to identify, purchase, store and use



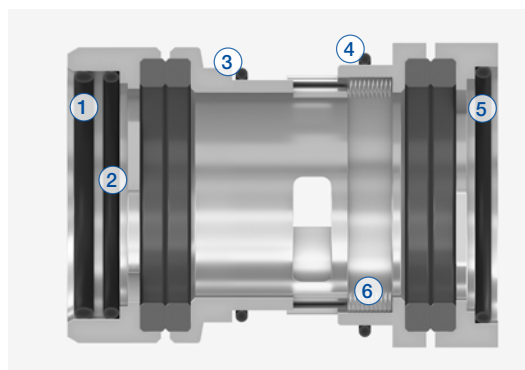
### SNS1 / SNS1F / SNS1G service kit

- ① 412.MS01 O-ring
- ② 412.MS02 O-ring
- ③ 412.MS03 O-ring
- ④ 412.MS04 O-ring
- ⑤ 477.MS01 Spring
- ⑥ 506.MS01 Retaining ring



### SNS2 / SNS2P service kit

- ① 412.MS01 O-ring
- ② 412.MS02 O-ring
- ③ 412.MS03 O-ring
- ④ 412.MS04 O-ring
- ⑤ 412.MS05 O-ring
- ⑥ 477.MS01 Spring

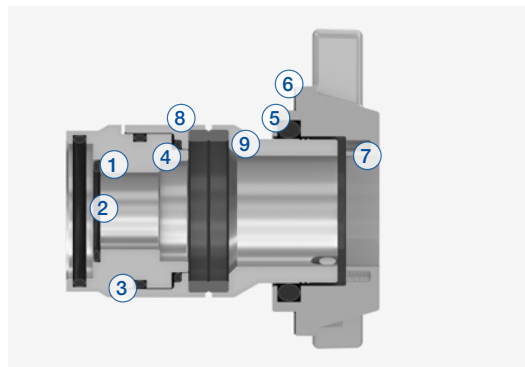


### TB1 / TB1F service kits

- ① 412.MS01 O-ring
- ② 412.MS02 O-ring
- ③ 412.MS03 O-ring
- ④ 412.MS04 O-ring
- ⑤ 412.MS05 O-ring
- ⑥ 400.MS01 Gasket
- ⑦ 477.MS01 Spring
- ⑧ 472.MS01 Slide ring
- ⑨ 475.MS01 Thrust ring

Wear part  
service kit

Seal face  
service kit

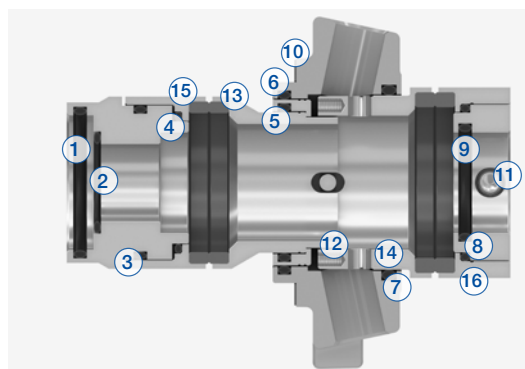


### TB2 / TB2P service kits

- ① 412.MS01 O-ring
- ② 412.MS02 O-ring
- ③ 412.MS03 O-ring
- ④ 412.MS04 O-ring
- ⑤ 412.MS05 O-ring
- ⑥ 412.MS06 O-ring
- ⑦ 412.MS07 O-ring
- ⑧ 412.MS08 O-ring
- ⑨ 412.MS09 O-ring
- ⑩ 400.MS01 Gasket
- ⑪ 904.MS01 Set screw
- ⑫ 477.MS01 Spring
- ⑬ 475.MS01 Thrust ring
- ⑭ 475.MS02 Thrust ring
- ⑮ 472.MS01 Slide ring
- ⑯ 472.MS02 Slide ring

Wear part  
service kit

Seal face  
service kit



**Please contact your local sales office for further information.**

[sulzer.com](http://sulzer.com)

E10845 en 6.2023, Copyright © Sulzer Ltd 2023

This brochure is a general product presentation. It does not provide a warranty or guarantee of any kind. Please contact us for a description of the warranties and guarantees offered with our products. Directions for use and safety will be given separately. All information herein is subject to change without notice.