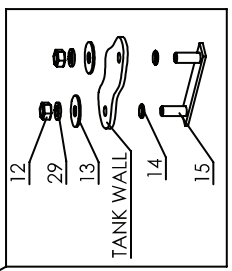
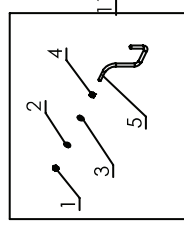
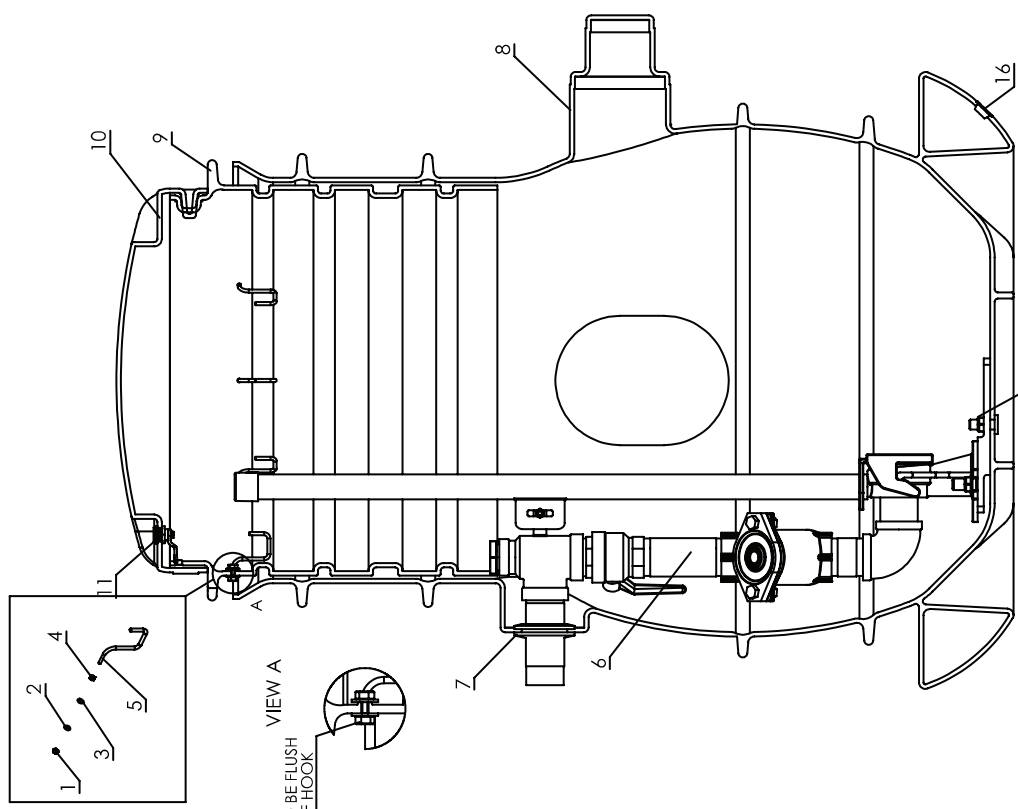




SPARE PARTS LIST	07565412	
DESCRIPTION	PUMPING STATION SYNCONTA 801 DN50-BCVL	
ASSEMBLY DRAWING	AN-S.18.102	

PARTS LIST

Position No.	Item No.		Description	Qty.
1	11400049	M	NUT M5 DIN985 LOCK	4
2	11470026	M	WASHER A6.4 DIN9021	4
3	11470026	M	WASHER A6.4 DIN9021	4
4	11400061	M	NUT M5 DIN934	4
5	14995002	M	CLAMP FLOAT HOOK SYNCONTA 801	4
6	25105001	M	DISCHARGE PIPE SYNCONTA 801 DN50	1
7	43075112	M	SEAL SYNCONTA 801S DN50 P.PIPE	1
8	42885026	M	TANK SYNCONTA 801 PE CLOSED	1
9	42885029	M	KIT RISER SYNCONTA 801S BCVL	1
10	42485012	M	COVER SYNCONTA 801S D610X685	1
11	13245003	M	LOCK SYNCONTA 801S	1
12	11400087	M	NUT M16 DIN934 SS	2
13	11470020	M	WASHER A17 DIN125 SS	2
14	11120371	M	O-RING 14X4 DIN3771	2
15	41425079	M	BRACKET SYNCONTA 801S PEDSTL SECU	1
16	11595008	M	CAP D26MM SYNCONTA 801	2
17	11125004	M	O-RING D20 X 594 15SH.A SYNCONTA801	1
19	31420555	M	PEDESTAL BRACKET AS10/16/30	1
20	43070182	M	SEAL DN50/80	1
21	31400033	M	FLANGED TRANSITION P SQ.2" PED.	1
22	11220001	M	CAP SCREW, SOCKET HD M8X25 DIN7984	4
23	13780017	M	NUT R2 STVZ. DIN2950	1
24	310101395001		CHAIN WLL 320KG 1.6M EN818-4 GR6	1
25	13245004	M	KEY SYNCONTA 801S	1
27	42485011	M	PLUG SYNCONTA 801S DN150 PE	1
28	43075113	M	SEAL DN150 SYNCONTA 801S INLET	1
35	11520021	M	WASHER A16 DIN127	2



VIEW A
NUT SHOULD BE FLUSH
WITH END OF HOOK

