

# Submersible Sludge Pump JS 8

**SULZER**

## Specification

JS 8 single-phase electric submersible pump with built-in float switch.

Maximum submergence: 7 m.

Shaft mounted agitator prevents air locking and reduces clogging.

Protection class IP68.

Max temperature of pumped medium at max power input and continuous duty 40 °C.

pH of the pumped medium 6.5 - 8.5.

Free passage Ø 6 mm.

## Electric Motor

Single-phase motor with built-in capacitor, 50 Hz.

Class F insulation.

Motor rating  $P_2$ : 0.75 kW. Speed: 2850 rpm

Voltage, V	230
Nominal current, A	5

## Power Cable

10 m type H07RN8-F: 3 x 1.0 sq.mm.

## Motor Protection

Built-in thermal protector.

## Shaft Seal

Double mechanical seal in oil bath: Ceramic -SiC/Carbon-Ceramic.

## Bearings

Sealed ball bearing.

## Discharge Connections

3" hose connections.

3" B.S.P. threaded connections.

## Weight

18.3 kg

## Options and accessories

3" STORZ-B connection.

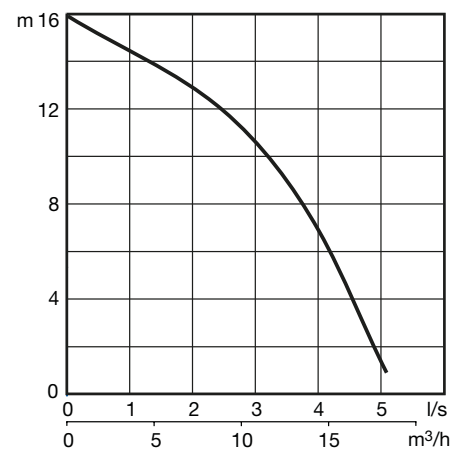
Reinforced hose.

## Materials

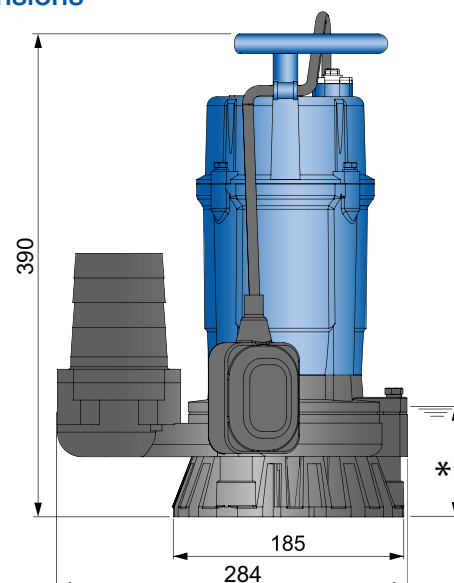
Description	Material
Motor casing	Aluminium
Upper cover	Aluminium
Volute	Cast iron
Shaft	Stainless steel 1.4021
Impeller	Ductile iron
Agitator	Stainless steel
Hose coupling	Cast iron
O-rings	NBR



## Performance curve



## Dimensions



\* Continuous running water level 85 mm

www.sulzer.com

JS 8 50Hz en (06.2022), Copyright © Sulzer Ltd 2022-

This document does not provide a warranty or guarantee of any kind. Please contact us for a description of the warranties and guarantees offered with our products. Directions for use and safety will be given separately. All information herein is subject to change without notice.