

## SALOMIX™ SLH side-mounted agitator

Anyone who has been standing next to a green liquor dissolver knows that it is a violent process. Liquid melt from the recovery boiler is mixed with weak liquor, which requires strong mixing in a very challenging environment. It is a hot, aggressive and very loud process.

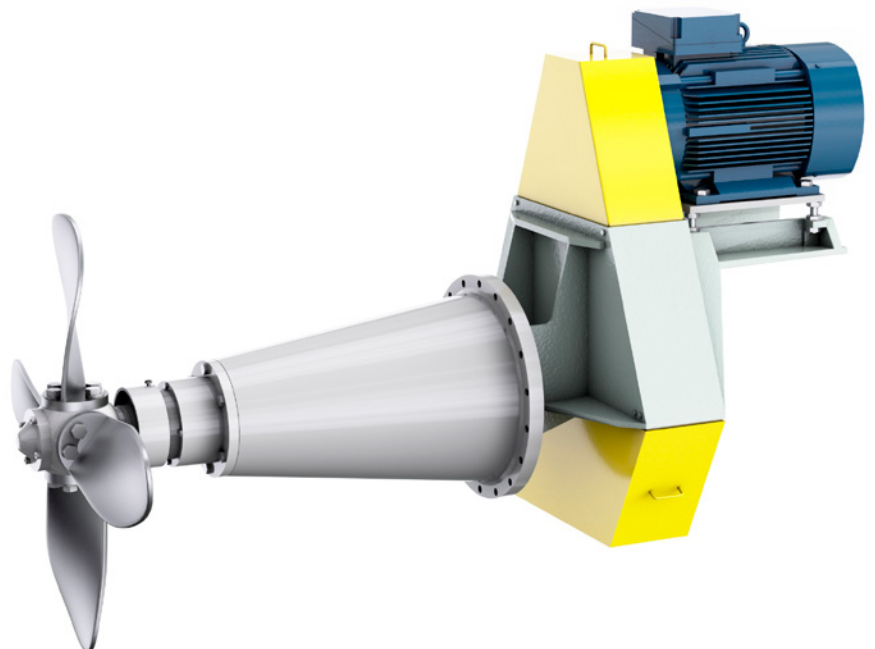
SALOMIX SLH agitators have been developed specifically for green liquor dissolving tanks. Due to the extreme environment with high temperatures, strong pressure shocks, aggressive media, and intensive agitation, the agitator is designed to withstand the most severe conditions. The cone construction with the bearing located close to the propeller offers a rigid design. Furthermore, the SLH is oversized to achieve the best possible lifetime.

### Reliability to suit the application

The in-tank bearing is located close to the propeller, which gives low vibrations and best conditions for the mechanical seal. SALOMIX SLH is oversized and always equipped with a double mechanical seal. To extend the seal lifetime even further, there is also additional external flushing in front of the primary seal surface. This results in best possible seal lifetime.

### Key benefits

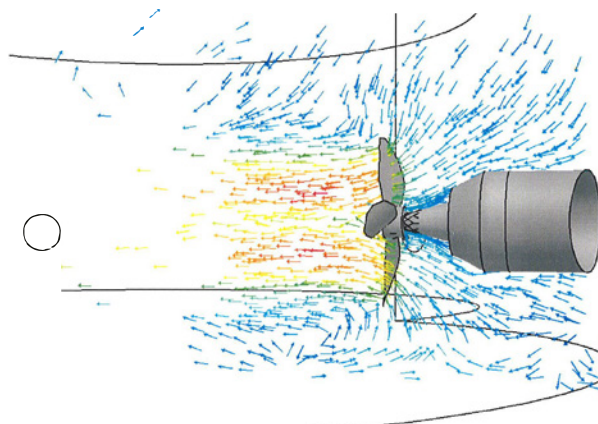
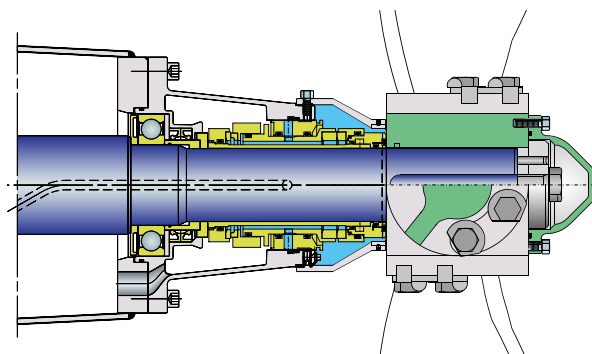
- Cone construction with an in-tank bearing. This will give lower vibrations and more reliable operation.
- Oversized agitator
- Rigid belt drive to handle pressure shocks
- Double mechanical seals plus additional flushing for long seal lifetime
- Propeller blades in duplex steel for highest strength
- Strong agitation with energy-efficient MX4 propellers
- Sulzer's dilution cone DILCO



## Process

Sulzer has well-proven solutions of how to size agitators for green liquor dissolvers. Thanks to many installations world-wide, there is a strong reference base for various tank shapes and executions.

SALOMIX SLH is usually equipped with a dilution cone DILCO, where the weak liquor can be fed into the tank. This gives efficient mixing and low mechanical impact at the propeller. The high-efficiency MX4 propeller with adjustable blades is then used to create intensive agitation and strong mixing.



The front bearing is located close to the propeller. SALOMIX SLH is equipped with a double mechanical seal and external flushing into a labyrinth in front of the seal. There are two separate sealing water units for increased redundancy.

## Materials

SALOMIX SLH is made of stainless steel EN 1.4404 as standard with blades in duplex ASTM 890 Grade 3A. Optional material is 254SMO.

## Performance range

SLH-100	22 kW	30 hp
SLH-125	30-37 kW	40-50 hp
SLH-160	55 kW	75 hp
SLH-170	75-110 kW	100-150 hp
Temperature	max. 115°C	max. 240°F
Pressure	max. 8 bar	max. 110 psi
pH	2-14	2-14

**How can we help you?**  
**Contact us today to find your best solution.**

[sulzer.com](http://sulzer.com)

E10853 en 3.2023, Copyright © Sulzer Ltd 2023

This brochure is a general product presentation. It does not provide a warranty or guarantee of any kind. Please contact us for a description of the warranties and guarantees offered with our products. Directions for use and safety will be given separately. All information herein is subject to change without notice.