

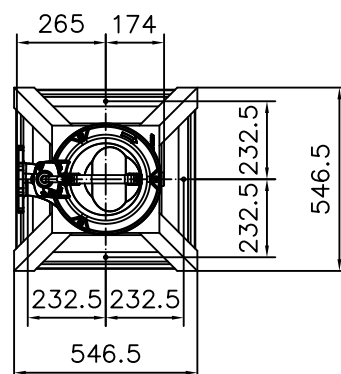
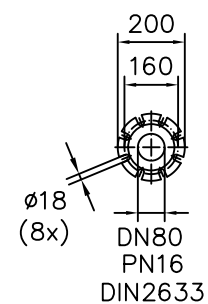
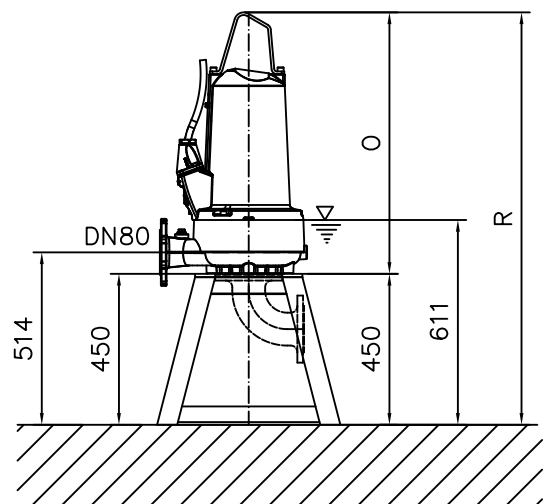
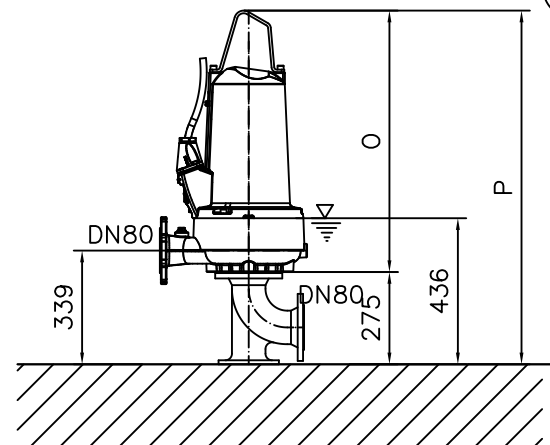
SULZER

Massblatt XFP 81E-VX Trockeninstallation
 Dimension sheet DRY-WELL Installation
 Dimensioni Installazione a secco
 Hoja de dimensiones instalacion en seco
 Plan d'encombement Installation a sec

No: AN-M.22.623 -04
 Drawn: 11.08.10 / D.Whelan
 Issue Date: 10/06/2019
 Znderungen vorbehalten
 Technical changes reserved
 Con riserva di modifiche
 Con reserva de modificaciones
 Sous r serve de modification

50 Hz**S.I.**

Typ Type Tipo	Gewicht Weight Poids Peso (kg)	O (mm)	P (mm)	R (mm)
PE 55/2	140	709	1014	1159
PE 70/2	140	709	1014	1159
PE 110/2	160	779	1084	1229



Gewicht: Beinhaltet Pumpe und Kabel (50 Hz = 10 m; 60 Hz = 15 m)
 Weight: includes pump and cable (50 Hz = 10 m; 60 Hz = 15 m)
 Peso: include pompa e cavo (50 Hz = 10 m; 60 Hz = 15 m)
 Peso: Incluye bomba y cable (50 Hz = 10 m; 60 Hz = 15 m)
 Poids : incluant la pompe et le cable (50 Hz = 10 m; 60 Hz = 15 m)

Guss-Allgemeintoleranzen nach DIN1680 - GTB16
 General tolerances for castings in acc. to DIN1680-GTB16
 Tolleranze generali delle fusioni secondo DIN1680-GTB16
 Tolerancias generales para la fundicion seg. de DIN1680-GTB16
 Tol rance g n rale de la fonderie selon DIN1680-GTB16

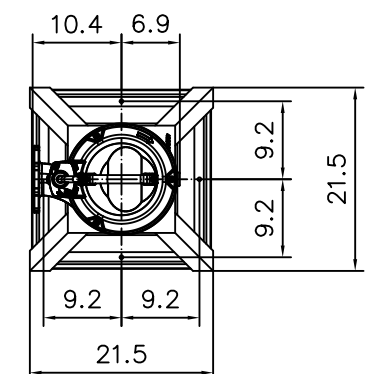
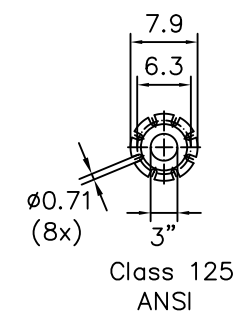
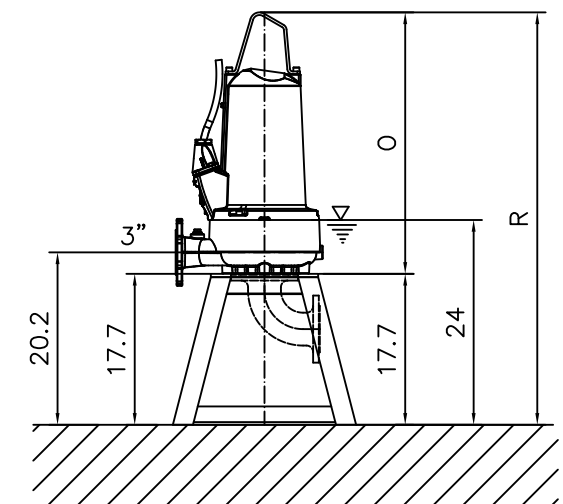
SULZER

Massblatt XFP 81E-VX Trockeninstallation
 Dimension sheet DRY-WELL Installation
 Dimensioni Installazione a secco
 Hoja de dimensiones instalacion en seco
 Plan d'encombement Installation a sec

No: AN-M.22.623 -04
 Drawn: 11.08.10 / D.Whelan
 Issue Date: 10/06/2019
 Znderungen vorbehalten
 Technical changes reserved
 Con riserva di modifiche
 Con reserva de modificaciones
 Sous r serve de modification

50 Hz**U.S.**

Typ Type Tipo	Gewicht Weight Poids Peso (lbs)	O (")	R (")
PE 55/2	308	27.9	45.6
PE 70/2	308	27.9	45.6
PE 110/2	352	30.7	48.4



Gewicht: Beinhaltet Pumpe und Kabel (50 Hz = 10 m; 60 Hz = 15 m)
 Weight: includes pump and cable (50 Hz = 10 m; 60 Hz = 15 m)
 Peso: include pompa e cavo (50 Hz = 10 m; 60 Hz = 15 m)
 Peso: Incluye bomba y cable (50 Hz = 10 m; 60 Hz = 15 m)
 Poids : incluant la pompe et le cable (50 Hz = 10 m; 60 Hz = 15 m)

Guss-Allgemeintoleranzen nach DIN1680 - GTB16
 General tolerances for castings in acc. to DIN1680-GTB16
 Tolleranze generali delle fusioni secondo DIN1680-GTB16
 Tolerancias generales para la fundicion seg. de DIN1680-GTB16
 Tol rance g n rale de la fonderie selon DIN1680-GTB16