

## Lifting Station Type ABS Sanimax MF-HW

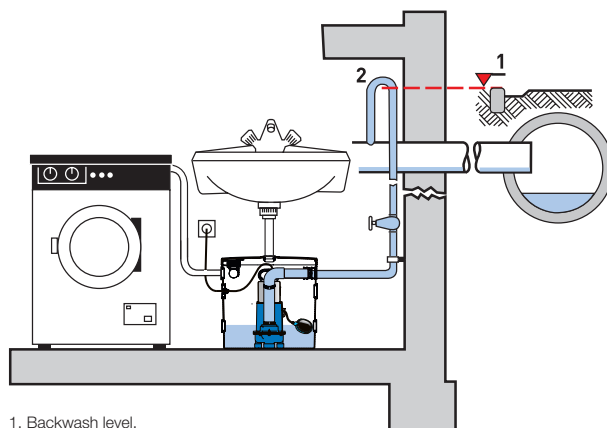
Complete wastewater pumping unit for installation at floor level, and fitted with a submersible MF-HW hot water pump. Suitable for the removal of high temperature liquids containing solid particles up to 20 mm, from domestic and commercial appliances located below the sewer level, in accordance with EN 12050-2.

### Features

- Ready-for-use, plug-in unit with Schuko plug.
- Compact triangular design optimises space.
- Fitted with MF 154HW pump, complete with non-return valve and level control. A separate check valve should be used at heads over 3 m.
- Solids handling up to 20 mm.
- Pumping of high temperature wastewater up to a maximum of 80 °C.
- Seven ports (5 x 40 mm, 2 x 50 mm), ready-prepared with seals, which can be used for inflow, discharge, power cable, or flexible hose connection to a washing machine (¾" adaptor supplied).
- Odour-tight lid with odour lock and venting, including charcoal odour filter and overflow protection.
- Alarm switch available as accessory.

### Installation

Attention to the backwash level is of vital importance for effective dewatering. All outflow points located below the backwash level must be protected against back flow according to EN 12056 standard.



1. Backwash level.

2. Backwash loop with base above the backwash level.



### Tank

Synthetic, corrosion-resistant, gas- and odour-tight tank, in accordance with EN 12050-2. Supplied as standard with pump, automatic level control and non-return valve.

**Capacity:** 28 liters.

### Motor

Water pressure sealed, squirrel cage 2-pole induction motor, with double shaft seals and oil chamber. Thermal sensors in the stator to switch off the pump in the case of overheating and switch on automatically after cooling down.

**Insulation:** Class F (155 °C)

**Protection type:** IP68

### Materials

Tank		Polypropylene
MF 154 HW	Upper lid	Stainless steel 1.4301
	Motor housing	Cast iron EN-GJL-250
	Rotor shaft	Stainless steel 1.4021
	Volute	Cast iron EN-GJL-250
	Impeller	Polyamide
	Seals	Neoprene
	Fasteners	Stainless steel 1.4401

## Technical data

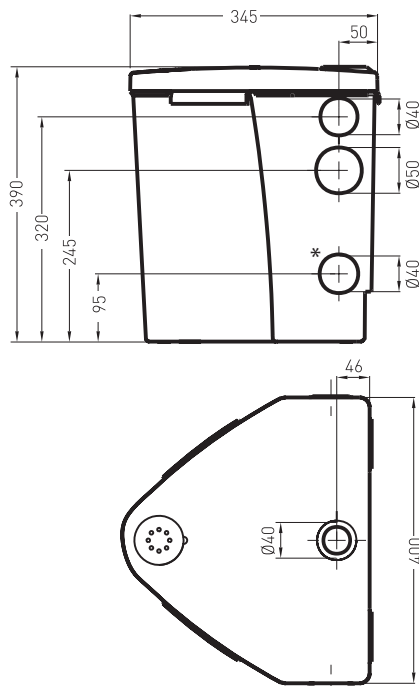
Sanimax MF-HW	
Motor power (kW) *	$P_1 = 0.65$ $P_2 = 0.42$
Speed (r/min)	2900
Rated voltage (V)	220-240 1~
Rated current (A)	2.83
Cable type (H07RN-F, enhanced version)	3G1.0
Cable length (m)	10
Weight (kg)	13.50

\*  $P_1$  = Power taken from mains.  $P_2$  = Power at motor shaft.

## Switching and volume levels

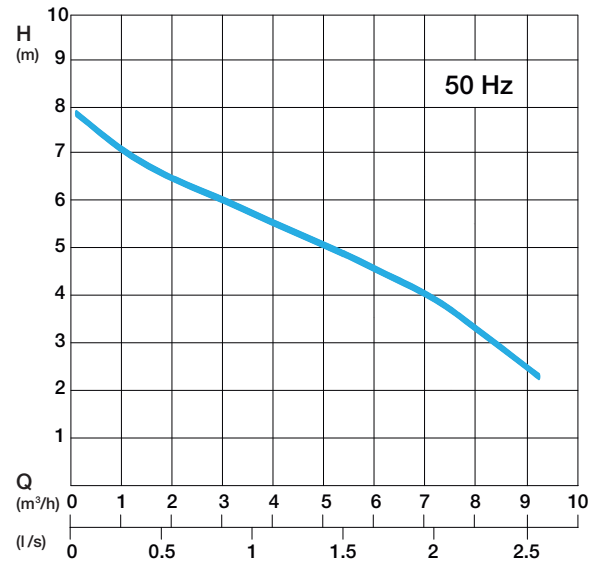
Sanimax MF-HW	
ON (mm)	230
OFF (mm)	80
Pumped volume (L)	11.2
Residual volume (L)	4.5

## Dimensions (mm)



\* We recommend that the lower ports should not be used because the switch-on level is higher than the inflow level.

## Performance curve



H = Total Head. Q = Discharge Volume. Curves to ISO 9906.

## Accessories

Description	Size	Part no.
<b>Non-return valves:</b>		
cast iron ball valve with internal thread connection.	G 1¼"	61400525
	G 1½"	61400526
brass shut-off valve with internal thread connection.	G 1¼"	14040005
	G 1½"	14040006

[sulzer.com](http://sulzer.com)

Sanimax MF-HW 50 Hz en 02.2024, Copyright © Sulzer Ltd 2024

This data sheet is a general product presentation. It does not provide a warranty or guarantee of any kind. Please contact us for a description of the warranties and guarantees offered with our products. Directions for use and safety will be given separately. All information herein is subject to change without notice.